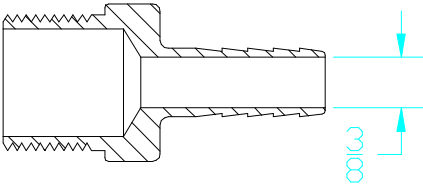
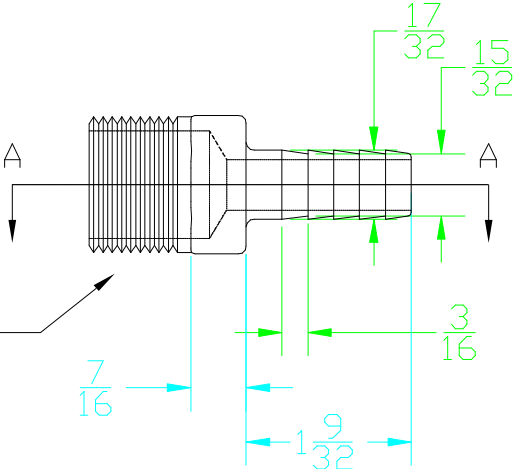


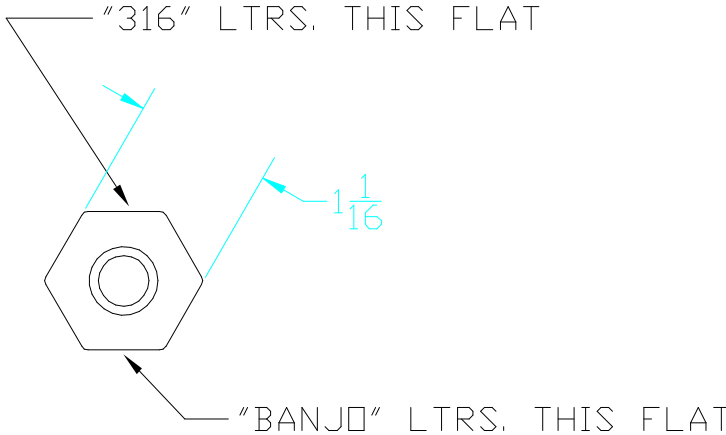
NOTES:
MATERIAL 316S/S



SECTION A-A



3/4" NPT THREAD



"316" LTRS. THIS FLAT

1 1/16

"BANJO" LTRS. THIS FLAT



BANJO CORPORATION
150 BANJO DR. * CRAWFORDSVILLE, IN 47933

THIS DRAWING AND ALL INFORMATION CONTAINED THEREIN ARE THE EXCLUSIVE PROPERTY OF BANJO CORPORATION. UNLESS SPECIFICALLY NOTED, THIS DRAWING AND ITEMS SHOWN ON THIS DRAWING ARE SUBJECT TO CHANGE AT ANY TIME.

PART NO.
HB075-050SS

TITLE
3/4" NPT x 1/2" Hose Barb, SS