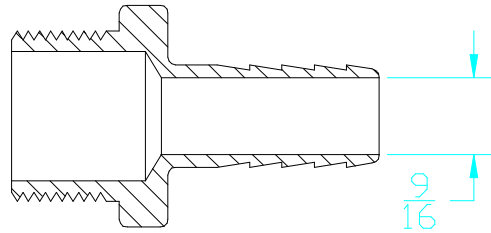
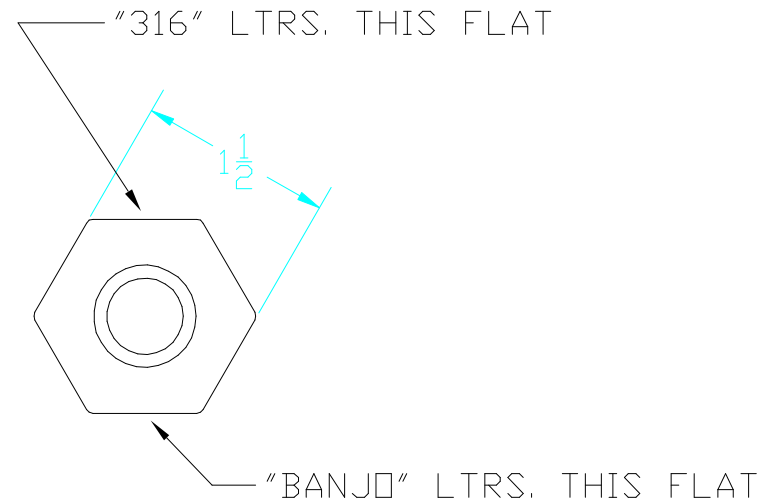
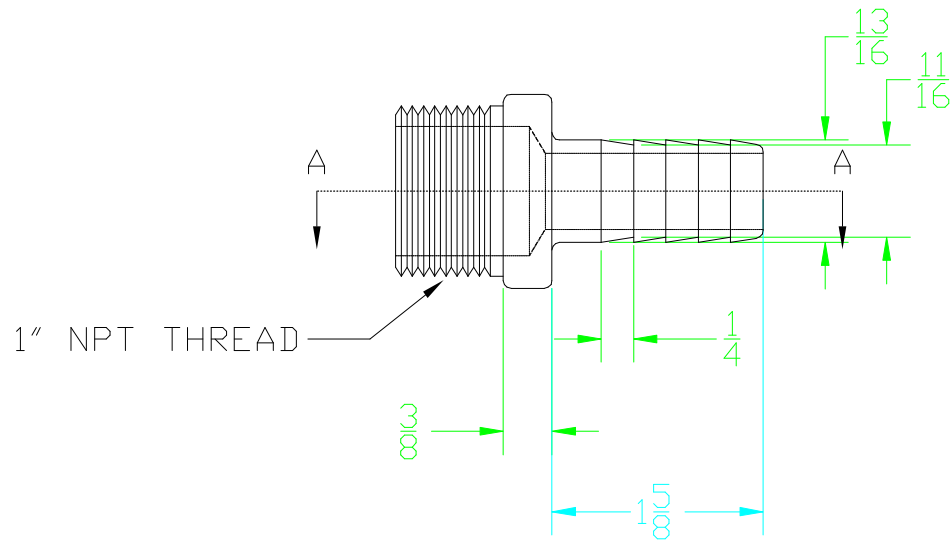


NOTES:  
MATERIAL 316S/S



SECTION A-A



LIQUID HANDLING PRODUCTS	
BANJO CORPORATION 150 BANJO DR. * CRAWFORDSVILLE, IN 47933	
<small>THIS DRAWING AND ALL INFORMATION CONTAINED THEREON ARE THE EXCLUSIVE PROPERTY OF BANJO CORPORATION. UNLESS SPECIFICALLY NOTED, THIS DRAWING AND ITEMS SHOWN ON THIS DRAWING ARE SUBJECT TO CHANGE AT ANY TIME.</small>	PART NO. <b>HB100-075SS</b> TITLE <b>1" MNPT x 3/4" Hose Barb, SS</b>