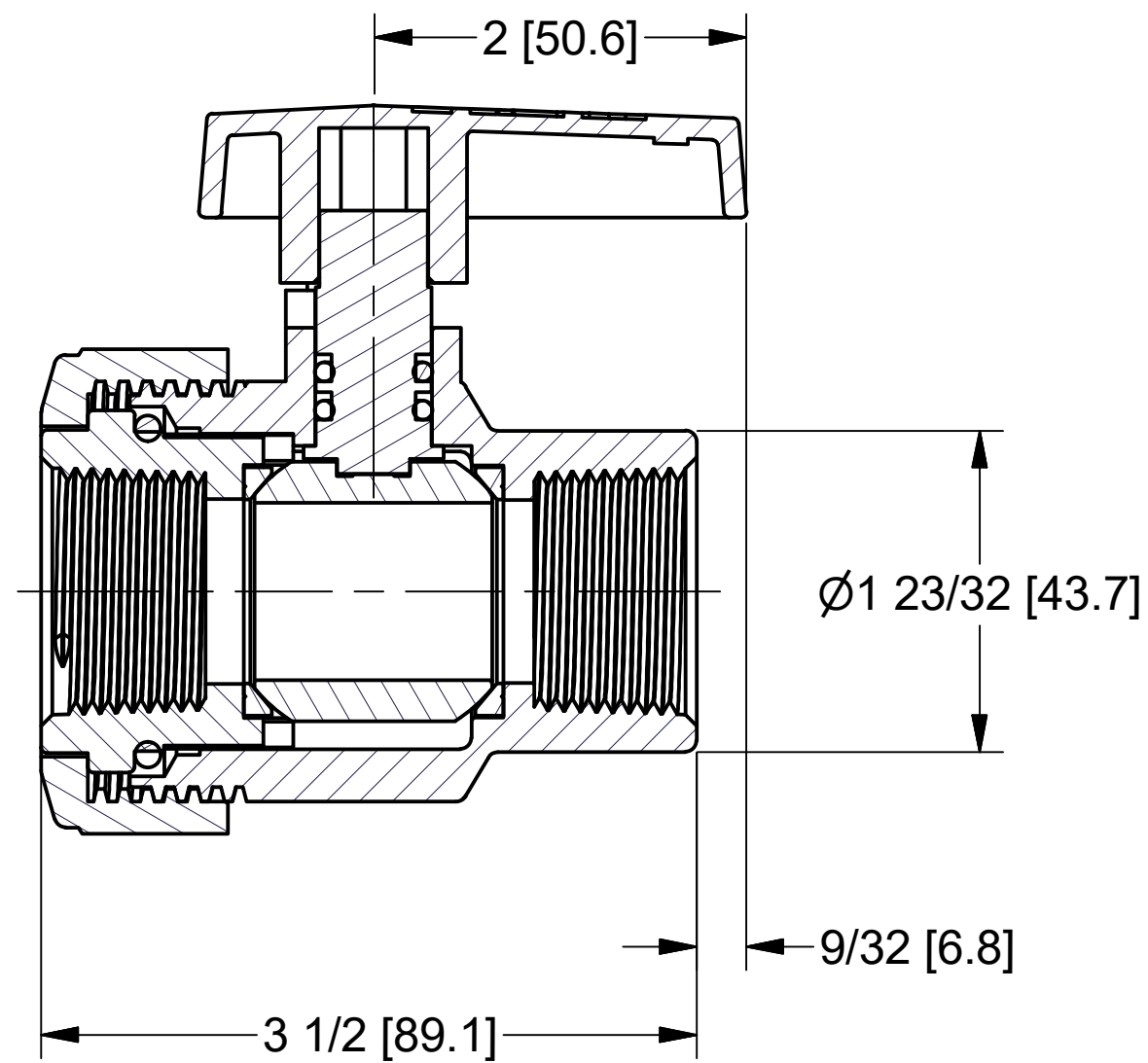
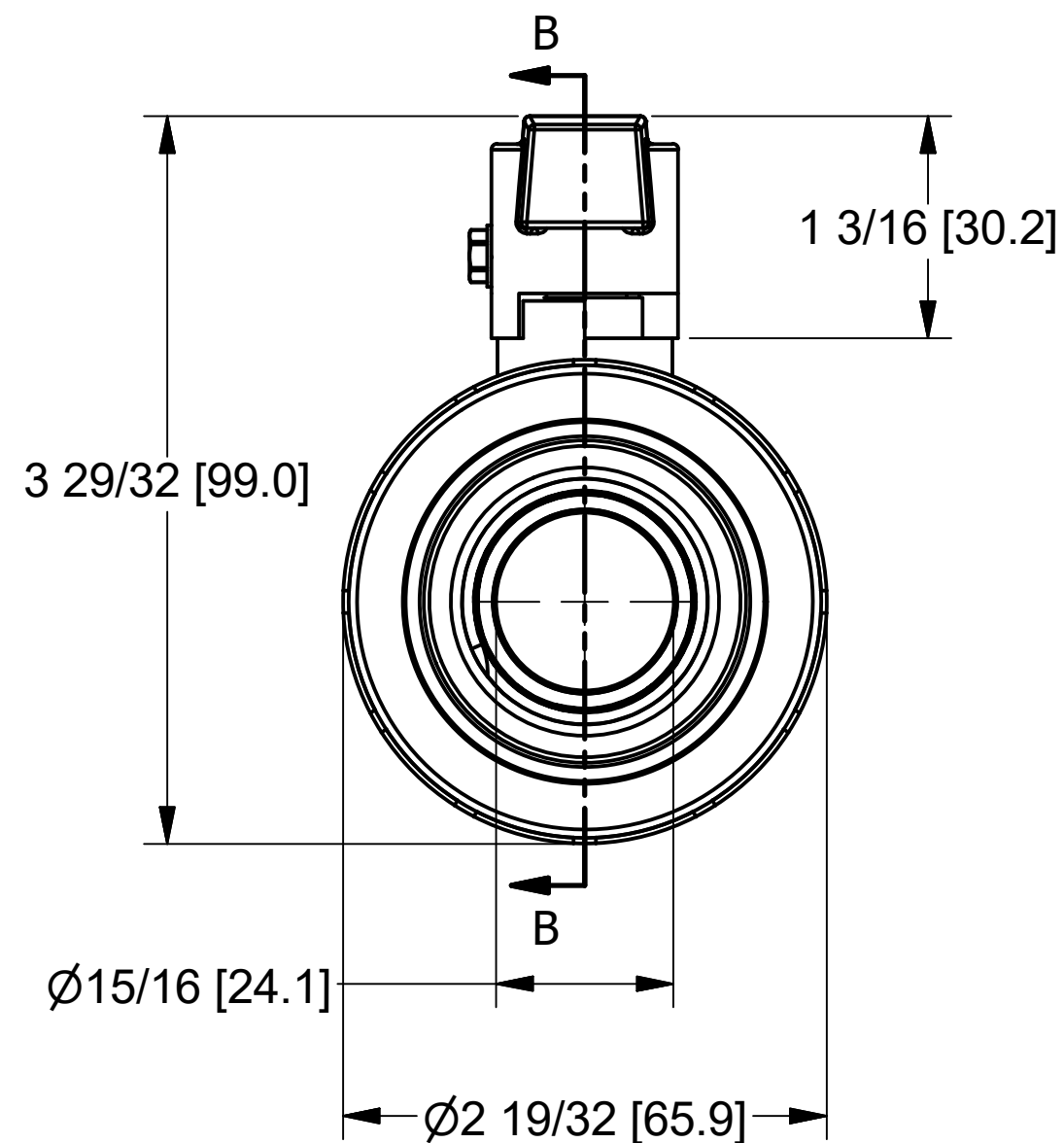
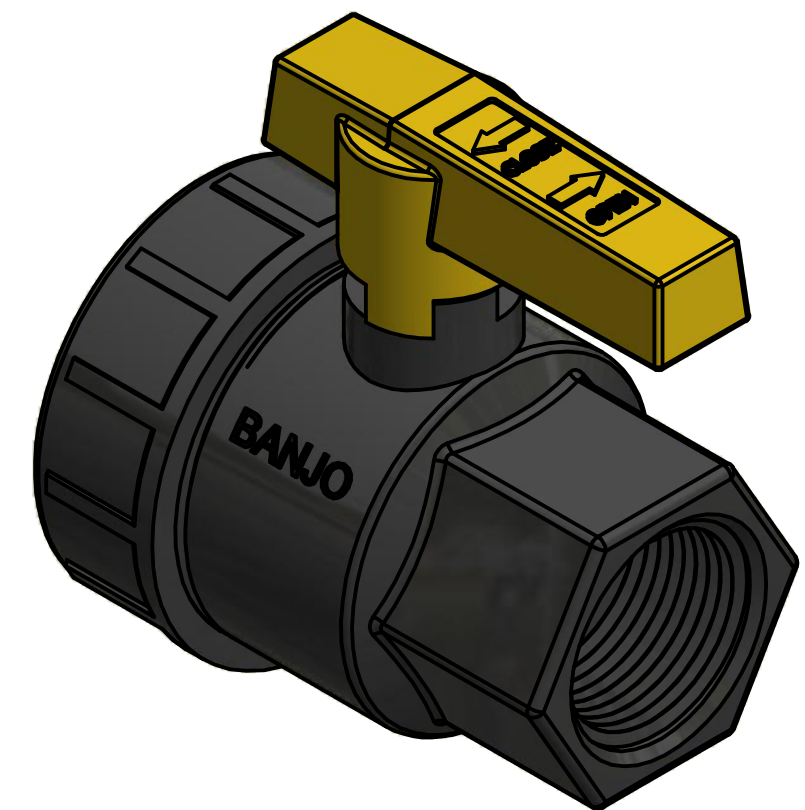
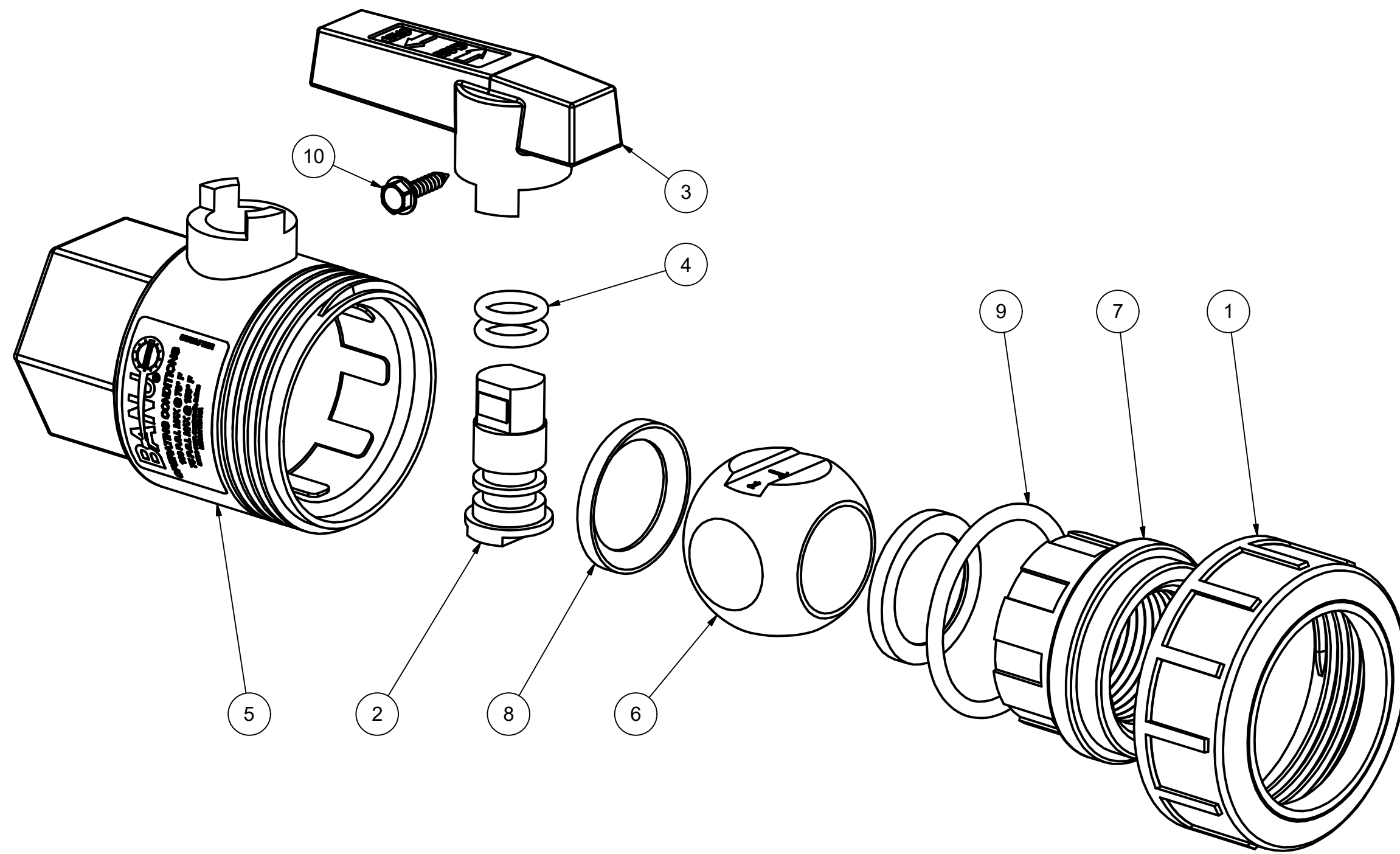


Parts List

ITEM	QTY	PART NUMBER	DESCRIPTION
1	1	UV10150	1" Union Valve Endplate
2	1	UV10151	1" Union Valve Stem
3	1	UV10153	1" UV HANDLE
4	2	UV10163	2-111 O-RING, EPDM
5	1	UV10254	1" Union Valve Body
6	1	UV10255	1" Union Valve Ball
7	1	UV10256	3/4" Union Valve End Plate
8	2	UV10258	1" UV Seat
9	1	UV10264	1" UV Body O-Ring
10	1	UV15220	#6 X 5/8" HWH SMS



SECTION B-B
SCALE 1 : 1

THIS DRAWING AND ALL INFORMATION CONTAINED THEREON ARE THE EXCLUSIVE PROPERTY OF BANJO CORPORATION.
UNLESS SPECIFICALLY NOTED, THIS DRAWING AND ITEMS SHOWN ON THIS DRAWING ARE SUBJECT TO CHANGE AT ANY TIME.



BANJO CORPORATION
150 BANJO DRIVE, CRAWFORDSVILLE, IN 47933
WEB SITE: WWW.BANJOCORP.COM
E-MAIL: BANJOSALES@IDEXCORP.COM
DESCRIPTION 1" Union Valve
PART NUMBER UV100FP