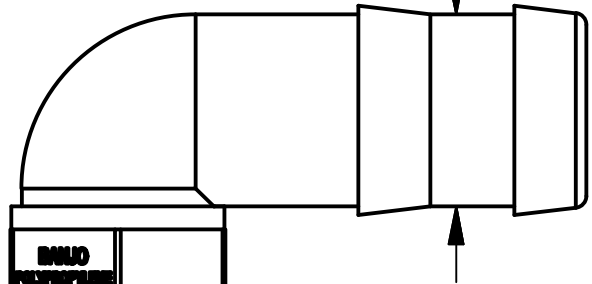
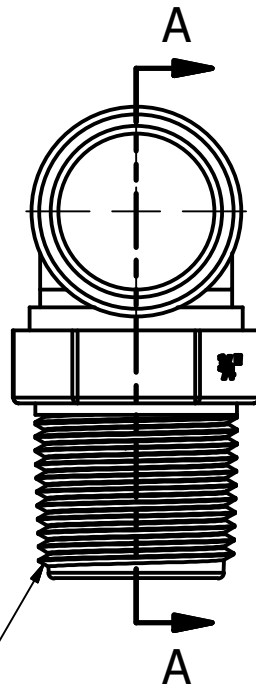


1 1/8 [28.4]

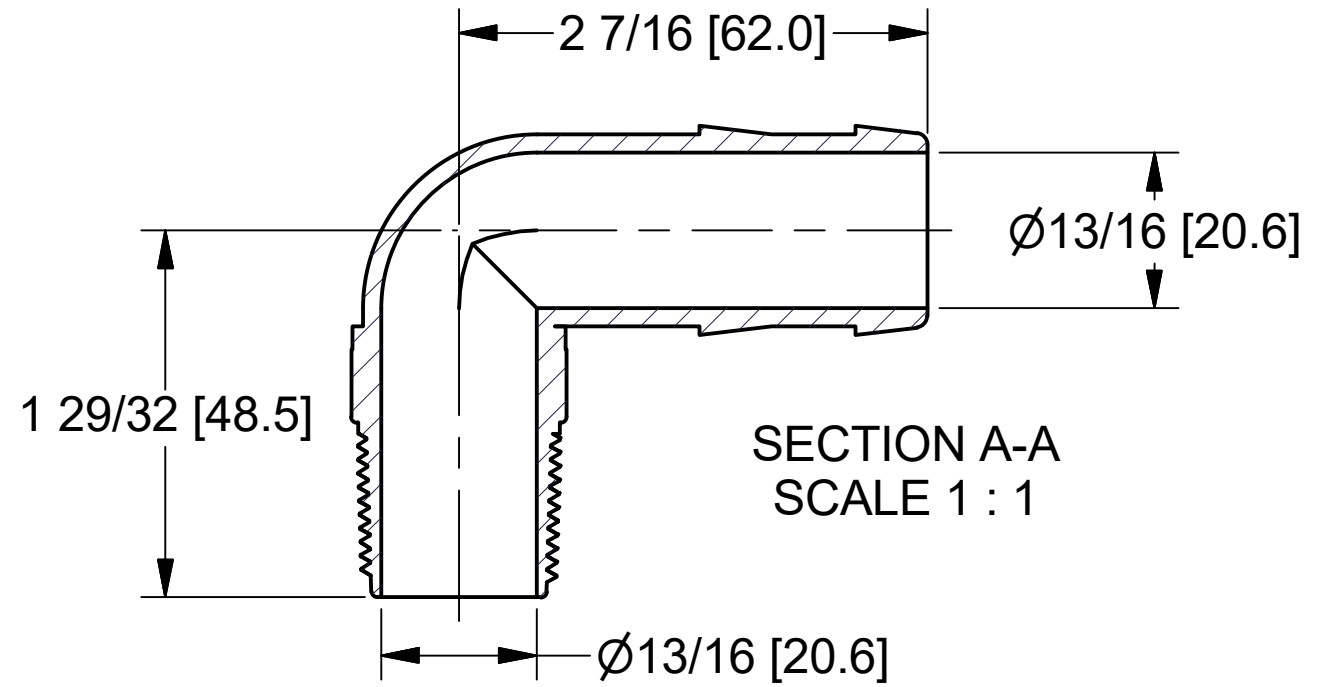
Ø1 [25.4]



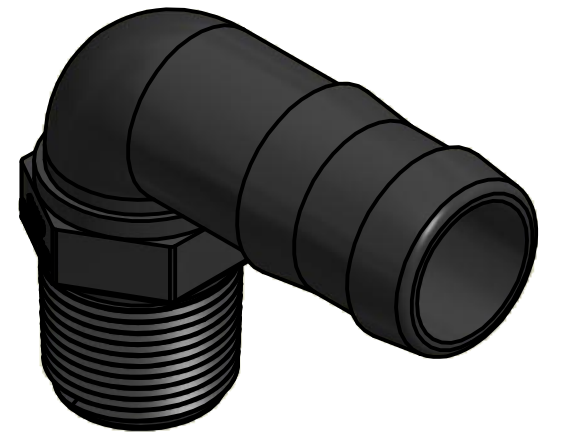
Ø1 1/16 [26.7]



3/4" - 14 NPT THRD  
BLUNT START



SECTION A-A  
SCALE 1 : 1



Note: Parts are to be bagged.

THIS DRAWING AND ALL INFORMATION CONTAINED THEREON ARE THE EXCLUSIVE PROPERTY OF BANJO CORPORATION.

UNLESS SPECIFICALLY NOTED, THIS DRAWING AND ITEMS SHOWN ON THIS DRAWING ARE SUBJECT TO CHANGE AT ANY TIME.



**BANJO CORPORATION**  
150 BANJO DRIVE, CRAWFORDSVILLE, IN 47933  
WEB SITE: WWW.BANJOCORP.COM  
E-MAIL: BANJOSALES@IDEXCORP.COM

DESCRIPTION  
3/4" NPT THD X 1" 90 HOSE BARB

PART NUMBER  
HB075/100-90