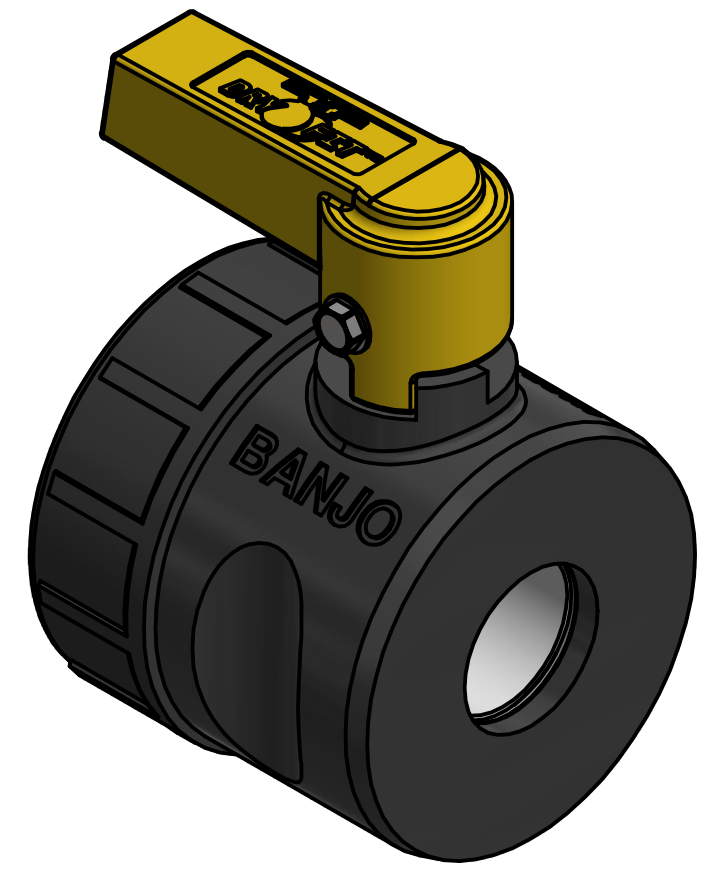
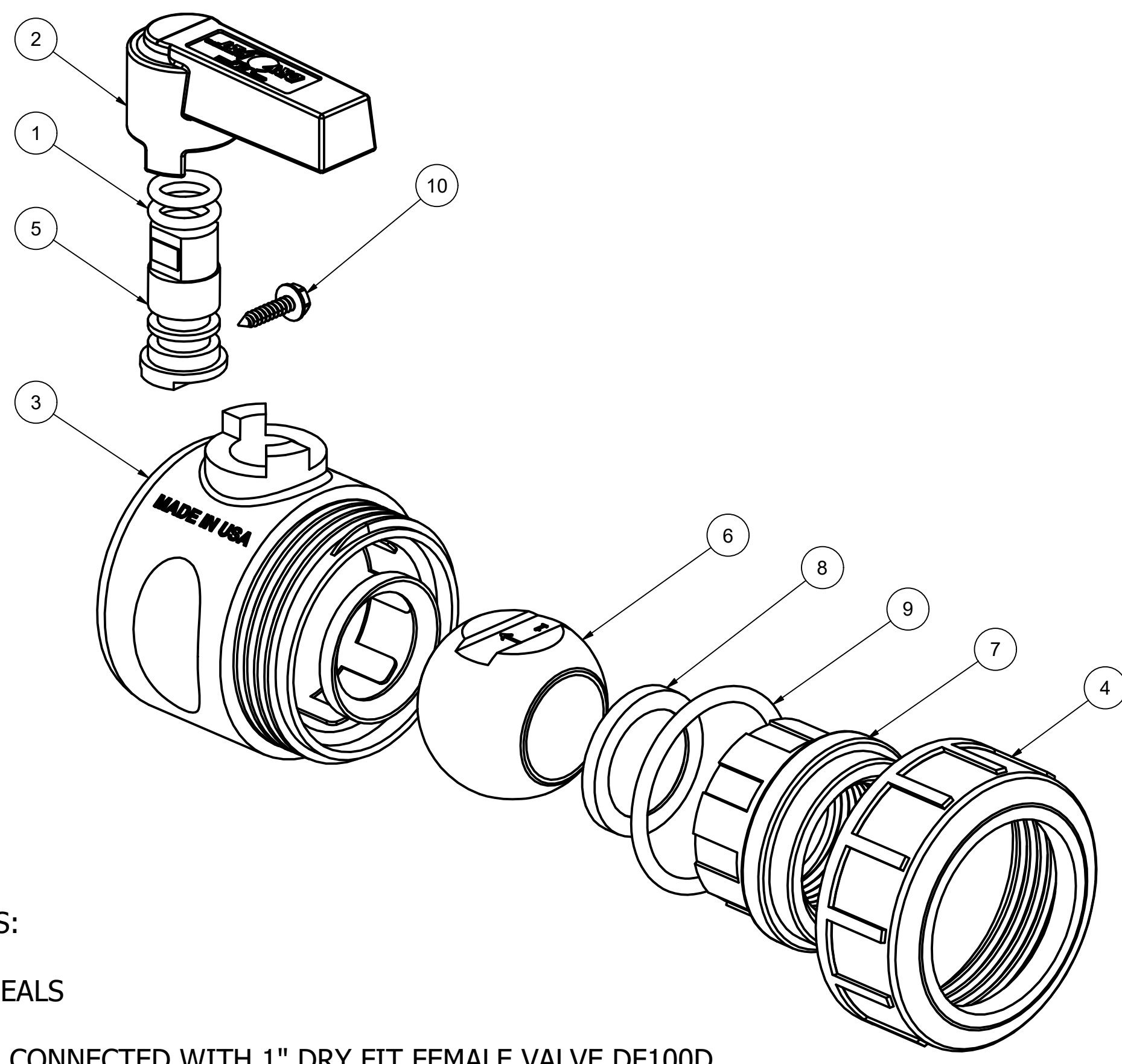



Parts List			
ITEM	QTY	PART NUMBER	DESCRIPTION
1	2	12774V	AS568A -111 O-RING, FKM, BROWN
2	1	DF10153	1" DRY FIT HANDLE
3	1	DF10254	1" MALE DRY FIT BODY MACHINED
4	1	UV10150	1" UNION VALVE ENDPLATE
5	1	UV10151	1" UNION VALVE STEM
6	1	UV10255	1" UNION VALVE BALL, TUMBLED
7	1	UV10256	3/4" UNION VALVE END PLATE
8	2	UV10258	1" UV SEAT
9	1	UV10264V	AS568A -223 O-RING, FKM, BROWN
10	1	UV15220	#6 X 5/8" HWH SMS



NOTES:
 FKM SEALS
 TO BE CONNECTED WITH 1" DRY FIT FEMALE VALVE DF100D

THIS DRAWING AND ALL INFORMATION CONTAINED THEREON ARE THE EXCLUSIVE PROPERTY OF BANJO CORPORATION.
 UNLESS SPECIFICALLY NOTED, THIS DRAWING AND ITEMS SHOWN ON THIS DRAWING ARE SUBJECT TO CHANGE AT ANY TIME.



BANJO
 Liquid Handling Products

BANJO CORPORATION
 A UNIT OF IDEX CORPORATION
 150 BANJO DRIVE, CRAWFORDSVILLE, IN 47933
 WEB SITE: WWW.BANJOCORP.COM
 E-MAIL: BANJOSALES@IDEXCORP.COM

DESCRIPTION:
1" MALE DRY FIT

PART NUMBER:
DF100A