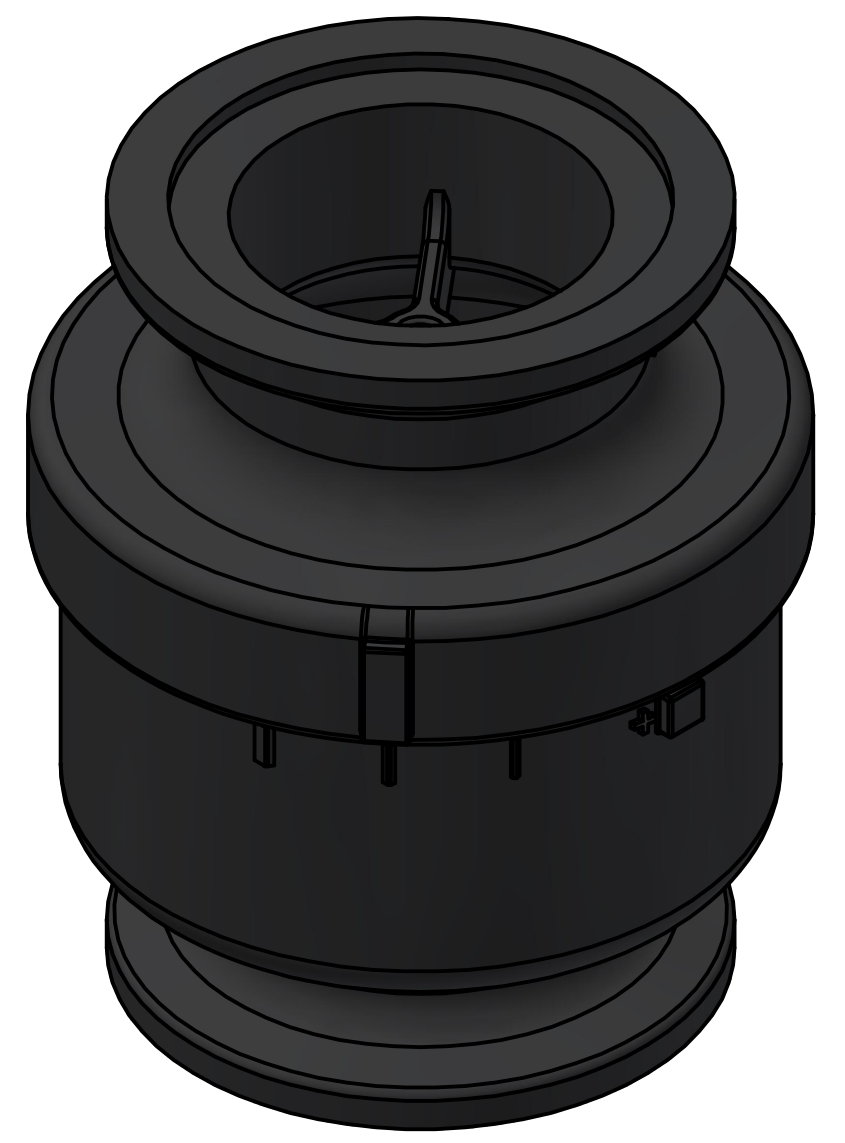



SECTION B-B
SCALE 1 : 1



NOTE:
OPENING PRESSURE LESS THAN 1/2 PSI

THIS DRAWING AND ALL INFORMATION CONTAINED THEREON ARE THE EXCLUSIVE PROPERTY OF BANJO CORPORATION.

UNLESS SPECIFICALLY NOTED, THIS DRAWING AND ITEMS SHOWN ON THIS DRAWING ARE SUBJECT TO CHANGE AT ANY TIME.

| | |
|--|--|
|  | |
| BANJO CORPORATION 150 BANJO DRIVE, CRAWFORDSVILLE, IN 47933 WEB SITE: WWW.BANJOCORP.COM E-MAIL: BANJOSALES@IDEXCORP.COM | |
| DESCRIPTION | 2" FULL PORT MANIFOLD CHECKVALVE - FKM |
| PART NUMBER | MCV221V |