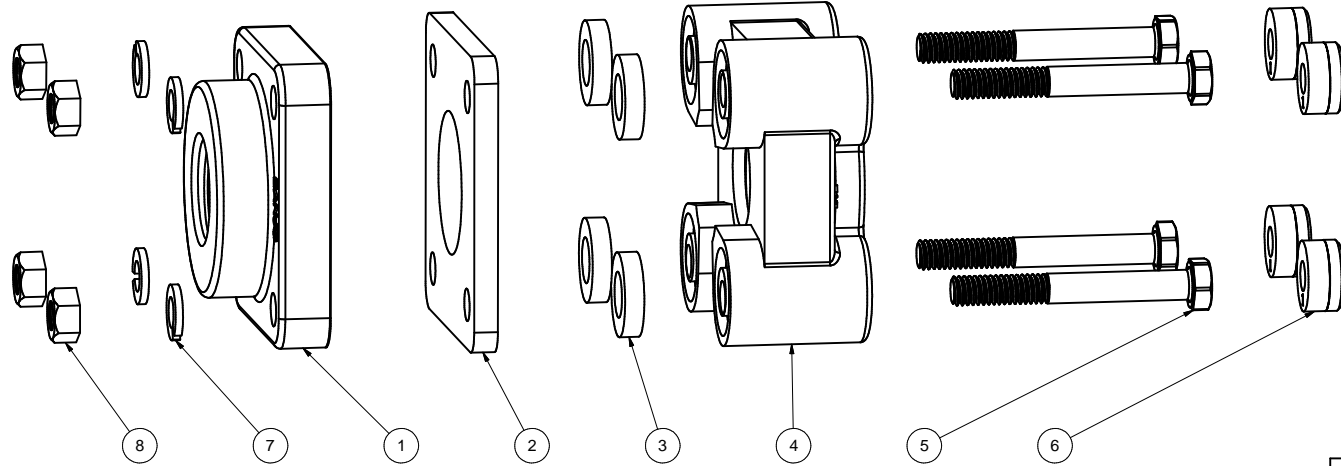
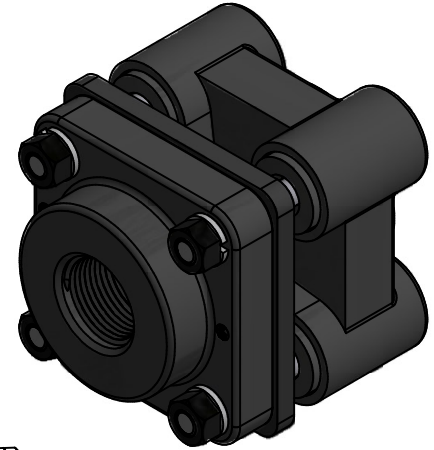


SECTION B-B
SCALE 1

		Parts List	
ITEM	QTY	PART NUMBER	DESCRIPTION
1	1	BF07357	3/4" B.F. END PLATE
2	1	BF100GE	1" B.F. GASKET
3	4	BF100GRE	1" B.D. GASKET
4	1	BF101BD	1" B.D. B.F. END PLATE
5	4	BF106	5/16"-18x2.50 HHCS 18-8SS
6	4	BF304AT	Bolted Flange Plug Tumbled
7	4	V10118	5/16" LOCKWASHER
8	4	V10119	5/16" HEX NUT
9	1	VL1004	EPDM DECAL (N/S)



BANJO CORPORATION

BANJO CORPORATION
 150 BANJO DRIVE, CRAWFORDSVILLE, IN 47933
 WEB SITE: WWW.BANJOCORP.COM
 E-MAIL: BANJOSALES@IDEXCORP.COM

<p>THIS DRAWING AND ALL INFORMATION CONTAINED THEREON ARE THE EXCLUSIVE PROPERTY OF BANJO CORPORATION.</p> <p>UNLESS SPECIFICALLY NOTED, THIS DRAWING AND ITEMS SHOWN ON THIS DRAWING ARE SUBJECT TO CHANGE AT ANY TIME.</p>	<p>DESCRIPTION</p> <p style="text-align: center; font-weight: bold;">1" x 3/4" TANK FITTING</p> <p>PART NUMBER</p> <p style="text-align: center; font-weight: bold;">BF075BD</p>
--	--