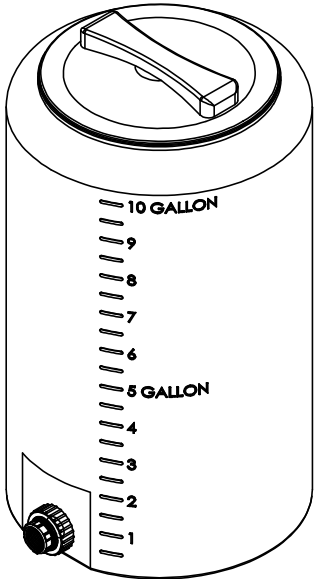
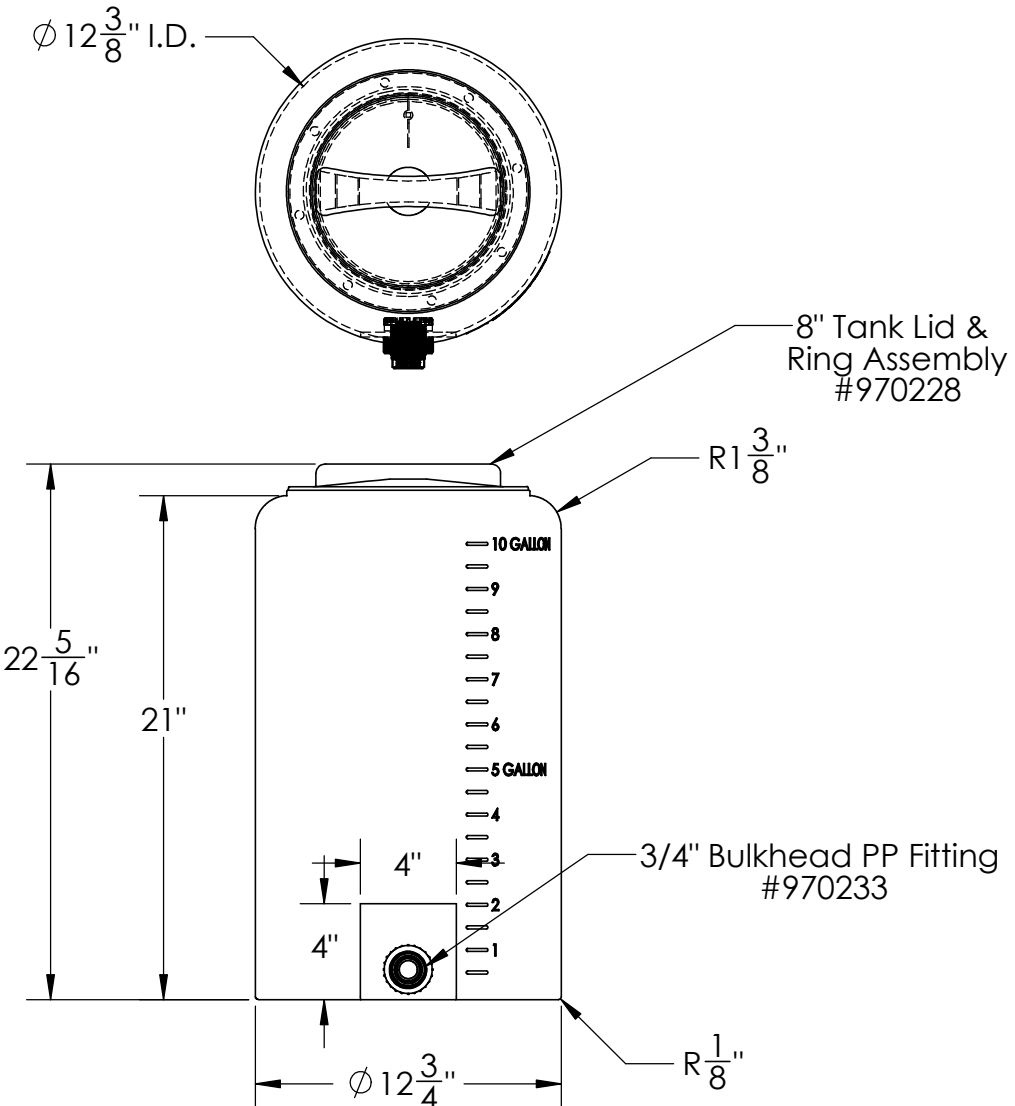


Catalog option:  
Tank Stand #5060



Tamco Vertical Closed Head Tank w/  
8" Lid & 3/4" Fitting



1390 Neubrecht Road  
Lima, Ohio 45801

STOCK NO.	REV
3480, 3529, 5177	A
DO NOT SCALE DRAWING	WEIGHT: 10 lbs.

DIMENSIONS ARE IN INCHES TOLERANCE: ± 1/4"	DRAWN	NAME	DATE
MATERIAL LLDPE - FDA resin	APPROVED	NJV	7/10/24
CAPACITY 10 US gal.	COMMENTS:		
GRADUATIONS 1/2 gal.	Natural, Black, Blue UV Stabilized		
NOMINAL WALL THICKNESS 3/16"			

**PROPRIETARY AND CONFIDENTIAL**

THE INFORMATION CONTAINED IN THIS DRAWING IS THE SOLE PROPERTY OF TAMCO. ANY REPRODUCTION IN PART OR AS A WHOLE WITHOUT THE WRITTEN PERMISSION OF TAMCO IS PROHIBITED.

MAX. OPERATING TEMP. 140°F  
INTERMITTENT SERVICE TO 160°F  
SEE CHEMICAL RESISTANCE  
CHART FOR COMPATIBILITY