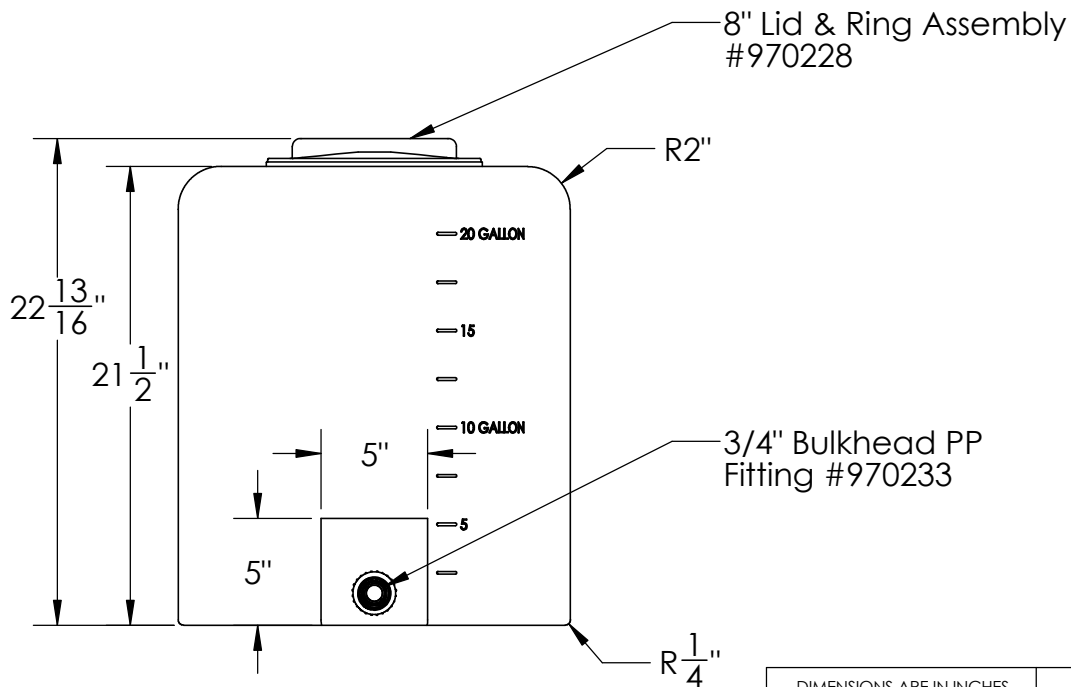
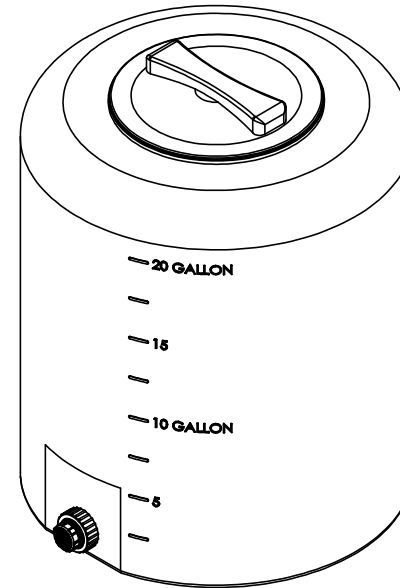


Catalog option:
Tank Stand #5061



3/4" Bulkhead PP
Fitting #970233

Tamco Vertical Closed
Head Tank w/
8" Lid & 3/4" Fitting



1390 Neubrecht Road
Lima, Ohio 45801

STOCK NO.

3485, 3532, 5163

REV

A

DO NOT SCALE DRAWING

WEIGHT: 15 lbs.

DIMENSIONS ARE IN INCHES
TOLERANCE: $\pm 1/4"$

MATERIAL
LLDPE - FDA resin

CAPACITY
20 US gal.

GRADUATIONS
2-1/2 gal.

NOMINAL WALL THICKNESS
3/16"

| | NAME | DATE |
|----------|------|---------|
| DRAWN | NJV | 7/10/24 |
| APPROVED | | |

COMMENTS:
Natural, Black, Blue
UV Stabilized

PROPRIETARY AND CONFIDENTIAL

THE INFORMATION CONTAINED IN THIS
DRAWING IS THE SOLE PROPERTY OF
TAMCO. ANY REPRODUCTION IN PART
OR AS A WHOLE WITHOUT THE WRITTEN
PERMISSION OF TAMCO IS PROHIBITED.

MAX. OPERATING TEMP. 140°F
INTERMITTENT SERVICE TO 160°F
SEE CHEMICAL RESISTANCE
CHART FOR COMPATIBILITY