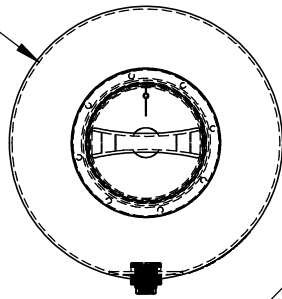
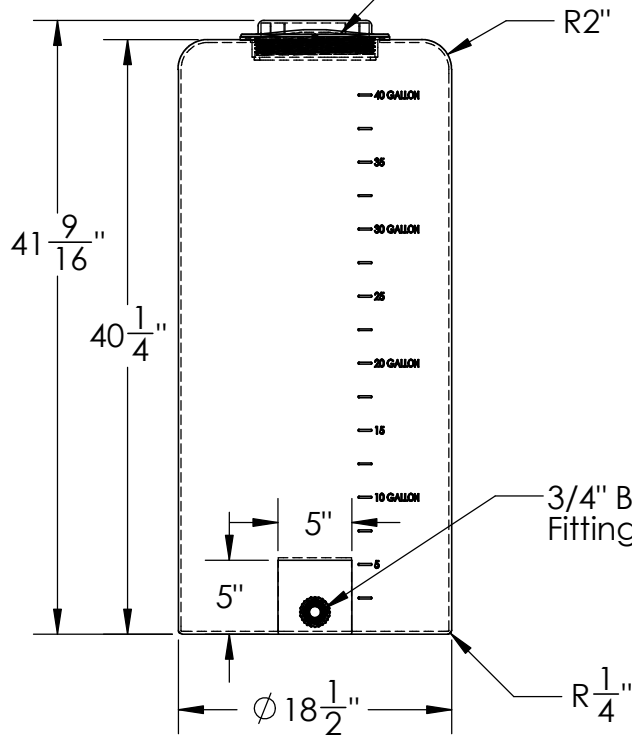


Ø 18 1/8" I.D.

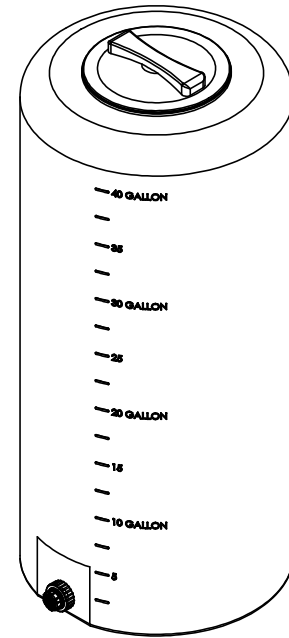


8" Lid & Ring Assembly #970228



3/4" Bulkhead PP Fitting #970233

Catalog option:
Tank Stand #5061



Tamco Vertical Closed Head Tank w/
8" Lid & 3/4" Fitting



1390 Neubrecht Road
Lima, Ohio 45801

STOCK NO.

3502, 3570, 5169

REV

A

DO NOT SCALE DRAWING

WEIGHT: 24 lbs.

DIMENSIONS ARE IN INCHES
TOLERANCE: ± 1/4"

MATERIAL
LLDPE - FDA resin

CAPACITY
40 US gal.

GRADUATIONS
2-1/2 gal.

NOMINAL WALL THICKNESS
3/16"

	NAME	DATE
DRAWN	NJV	7/10/24
APPROVED		

COMMENTS:

Natural, Black, Blue
UV Stabilized

PROPRIETARY AND CONFIDENTIAL

THE INFORMATION CONTAINED IN THIS DRAWING IS THE SOLE PROPERTY OF TAMCO. ANY REPRODUCTION IN PART OR AS A WHOLE WITHOUT THE WRITTEN PERMISSION OF TAMCO IS PROHIBITED.

MAX. OPERATING TEMP. 140°F
INTERMITTENT SERVICE TO 160°F
SEE CHEMICAL RESISTANCE CHART FOR COMPATIBILITY