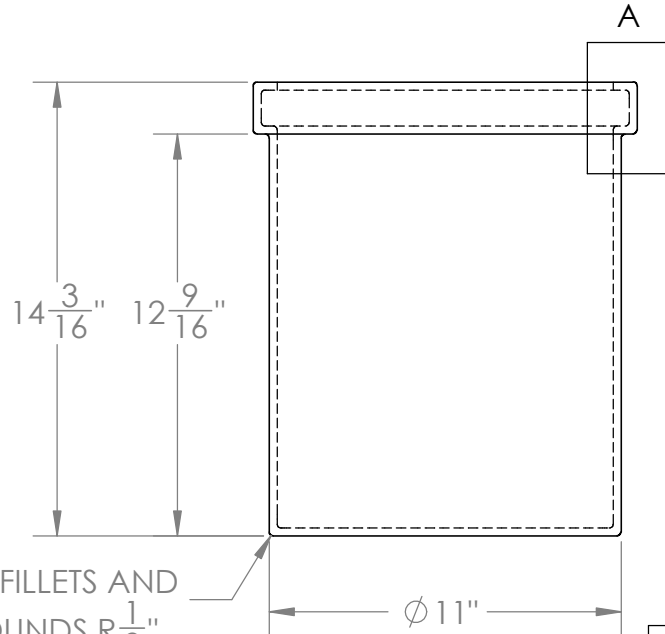
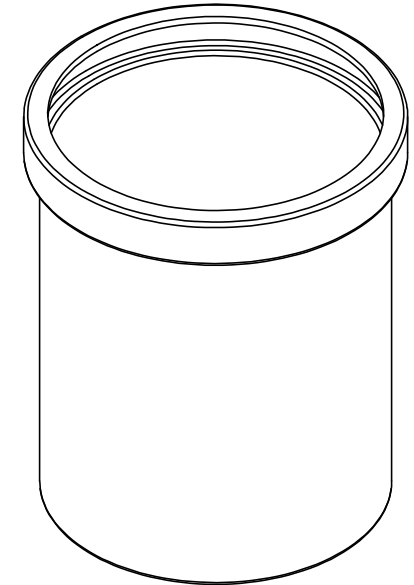
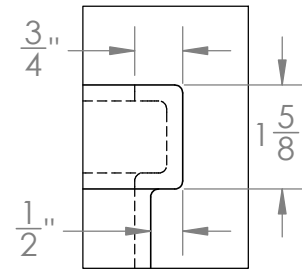
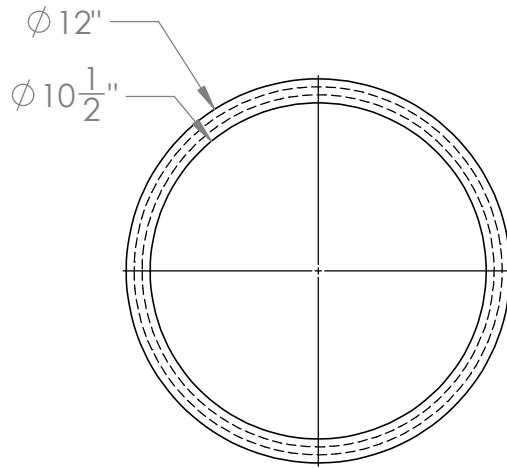


Catalog options:
 Black cover #6355, Tank Stand #5060-Includes agitator column



ALL FILLETS AND
 ROUNDS R $\frac{1}{8}$ "

Black Polyethylene
 Industrial Brine Tank
 #4295



1390 Neubrecht Road
 Lima, Ohio 45801

DIMENSIONS ARE IN INCHES TOLERANCE: $\pm 1/4$ "		NAME	DATE
MATERIAL	LLDPE - FDA resin	DRAWN	CDH 06/15/16
CAPACITY	5 US gal.	APPROVED	BAT 07/13/16
GRADUATIONS	NO	COMMENTS:	
NOMINAL WALL THICKNESS	1/4"	Black UV Stabilized	

STOCK NO.	4295	REV	A
DO NOT SCALE DRAWING		WEIGHT: 4.5 lbs.	

PROPRIETARY AND CONFIDENTIAL	MAX. OPERATING TEMP. 140°F
THE INFORMATION CONTAINED IN THIS DRAWING IS THE SOLE PROPERTY OF TAMCO. ANY REPRODUCTION IN PART OR AS A WHOLE WITHOUT THE WRITTEN PERMISSION OF TAMCO IS PROHIBITED.	INTERMITTENT SERVICE TO 160°F
	SEE CHEMICAL RESISTANCE CHART FOR COMPATIBILITY