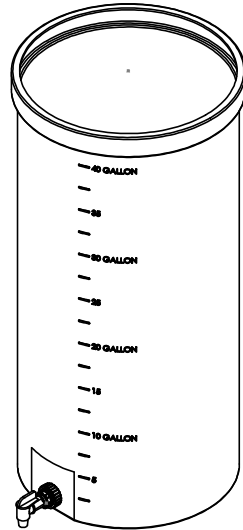
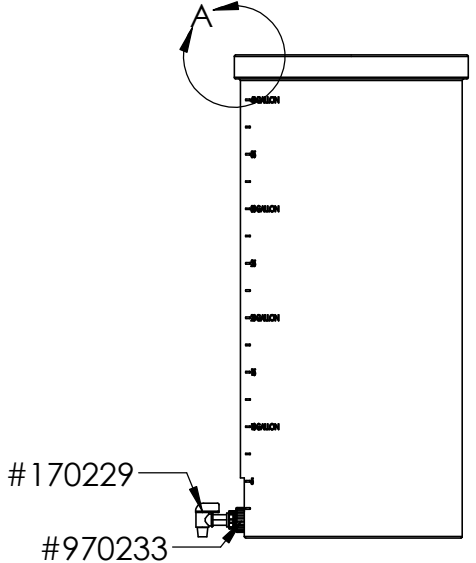
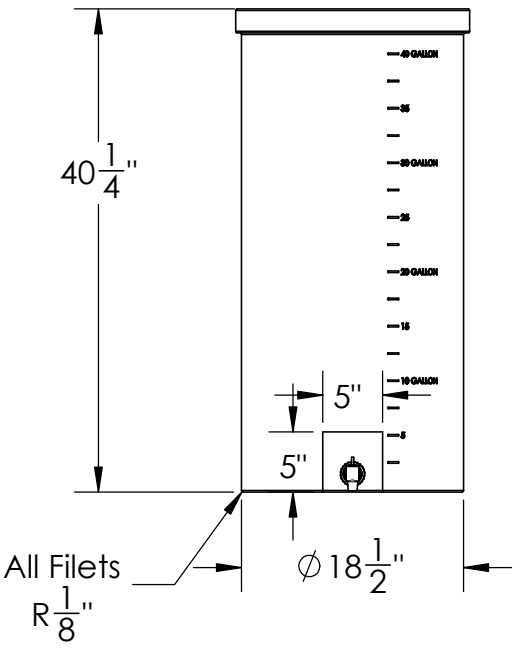
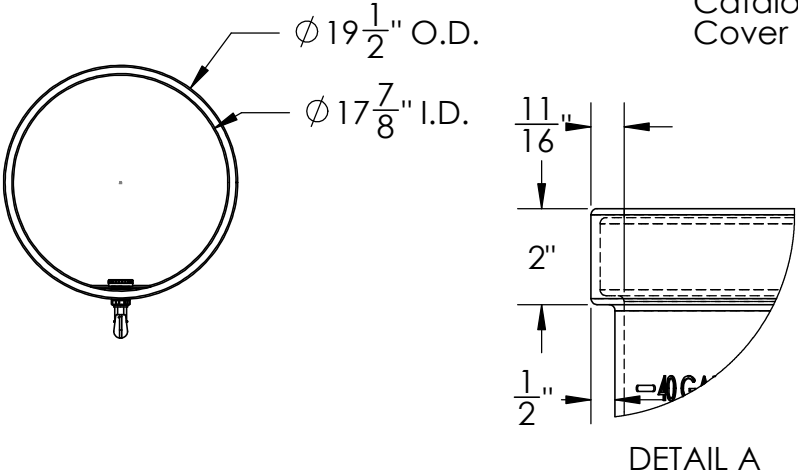


Catalog options:  
 Cover #3021, Floating Cover #3014, Tank Stand #5061



Standard Weight Polyethylene  
 Storage Tank  
 w/ External Flange  
 w/ Spigot



STOCK NO. **4971** REV **A**  
 DO NOT SCALE DRAWING WEIGHT: 17.5 lbs.

DIMENSIONS ARE IN INCHES TOLERANCE: ± 1/4"		NAME	DATE
MATERIAL LLDPE - FDA resin		DRAWN	NJV 6/7/23
CAPACITY 40 US gal.		APPROVED	
GRADUATIONS 2-1/2 gal.		COMMENTS: Translucent UV Stabilized	
NOMINAL WALL THICKNESS 3/16"			

**PROPRIETARY AND CONFIDENTIAL**  
 THE INFORMATION CONTAINED IN THIS DRAWING IS THE SOLE PROPERTY OF TAMCO. ANY REPRODUCTION IN PART OR AS A WHOLE WITHOUT THE WRITTEN PERMISSION OF TAMCO IS PROHIBITED.

MAX. OPERATING TEMP. 140°F  
 INTERMITTENT SERVICE TO 160°F  
 SEE CHEMICAL RESISTANCE CHART FOR COMPATIBILITY