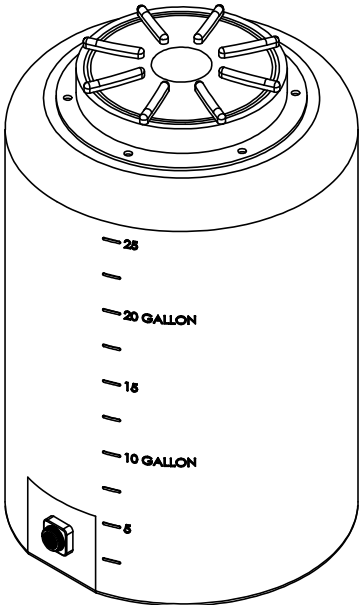
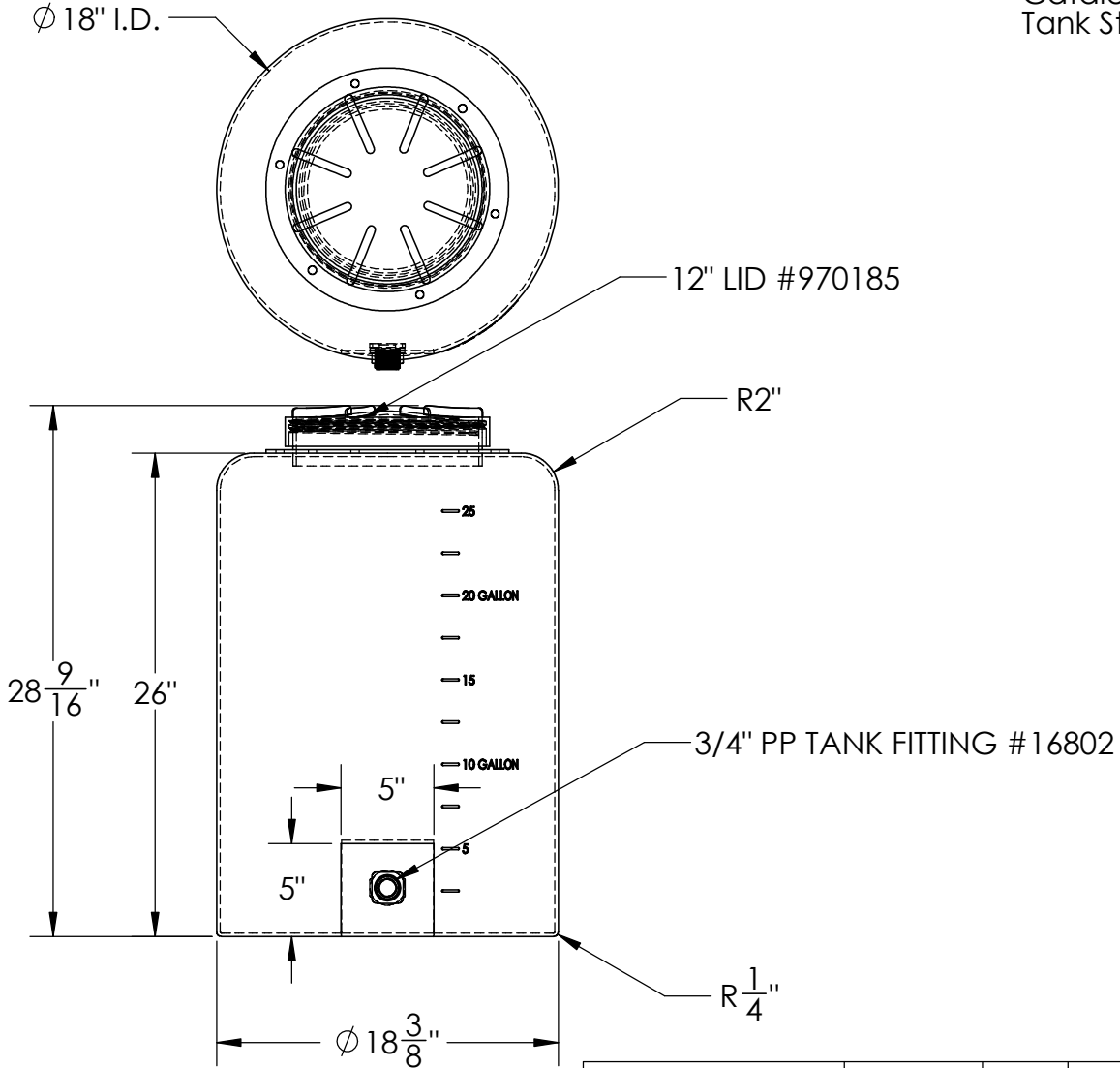


Catalog option:
Tank Stand #5061



Tamco Vertical Closed
Head Tank w/
12" Lid #5166



1390 Neubrecht Road
Lima, Ohio 45801

| | | | |
|---|-------------------|------------------------------------|--------------|
| DIMENSIONS ARE IN INCHES TOLERANCE: ± 1/4" | | NAME | DATE |
| MATERIAL | LLDPE - FDA resin | DRAWN | CDH 11/17/16 |
| CAPACITY | 25 US gal. | APPROVED | BAT 11/17/16 |
| GRADUATIONS | 2-1/2 gal. | REVISED | JMP 9/21/18 |
| NOMINAL WALL THICKNESS | 3/16" | COMMENTS: Blue UV Stabilized | |

PROPRIETARY AND CONFIDENTIAL
THE INFORMATION CONTAINED IN THIS
DRAWING IS THE SOLE PROPERTY OF
TAMCO. ANY REPRODUCTION IN PART
OR AS A WHOLE WITHOUT THE WRITTEN
PERMISSION OF TAMCO IS PROHIBITED.

MAX. OPERATING TEMP. 140°F
INTERMITTENT SERVICE TO 160°F
SEE CHEMICAL RESISTANCE
CHART FOR COMPATABILITY

| | | | |
|----------------------|------|-------------------|---|
| STOCK NO. | 5166 | REV | A |
| DO NOT SCALE DRAWING | | WEIGHT: 12.5 lbs. | |