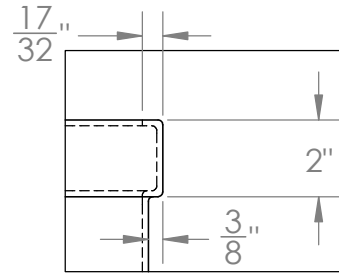
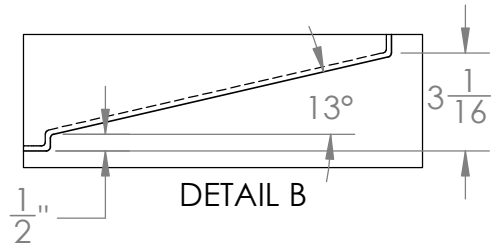
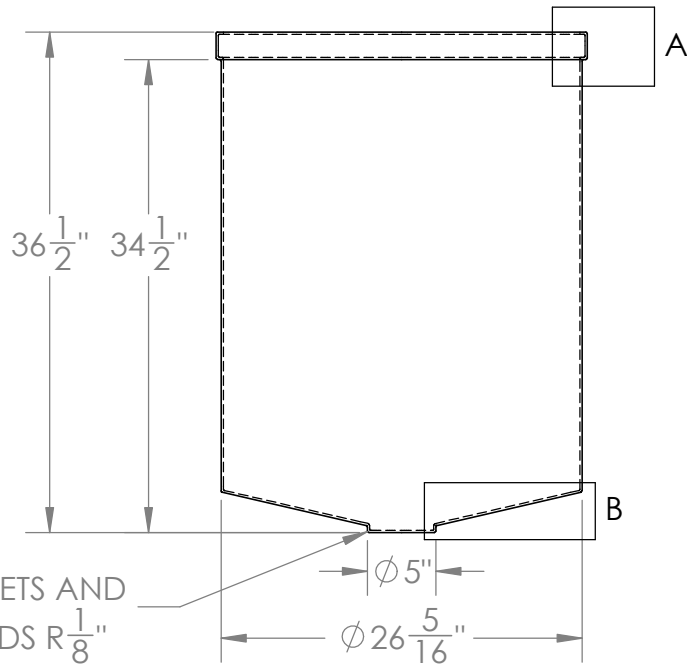
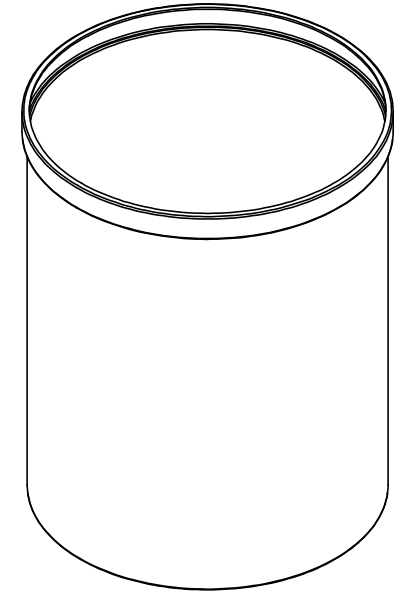


Catalog options:  
 Cover #4205, Tank Stand #5051  
 Full drainage fittings and other outlets also available.



DETAIL A



DETAIL B

Polyethylene Dome Bottom  
 Graduated Tank #5204



1390 Neubrecht Road  
 Lima, Ohio 45801

STOCK NO. **5204** REV **A**

DO NOT SCALE DRAWING

WEIGHT: 24 lbs.

DIMENSIONS ARE IN INCHES TOLERANCE: $\pm 1/4''$		NAME	DATE
MATERIAL	LLDPE - FDA resin	DRAWN	CDH 06/10/16
CAPACITY	87 US gal.	APPROVED	BAT 07/13/16
GRADUATIONS	12-1/2 gal.	COMMENTS:	
NOMINAL WALL THICKNESS	5/32"	Translucent UV Stabilized	

**PROPRIETARY AND CONFIDENTIAL**  
 THE INFORMATION CONTAINED IN THIS DRAWING IS THE SOLE PROPERTY OF TAMCO. ANY REPRODUCTION IN PART OR AS A WHOLE WITHOUT THE WRITTEN PERMISSION OF TAMCO IS PROHIBITED.

MAX. OPERATING TEMP. 140°F  
 INTERMITTENT SERVICE TO 160°F  
 SEE CHEMICAL RESISTANCE CHART FOR COMPATIBILITY