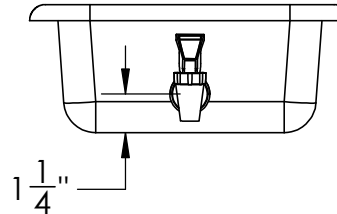
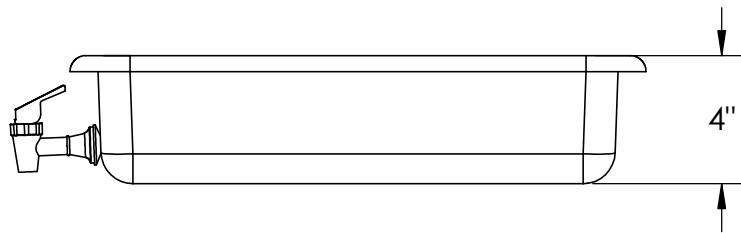
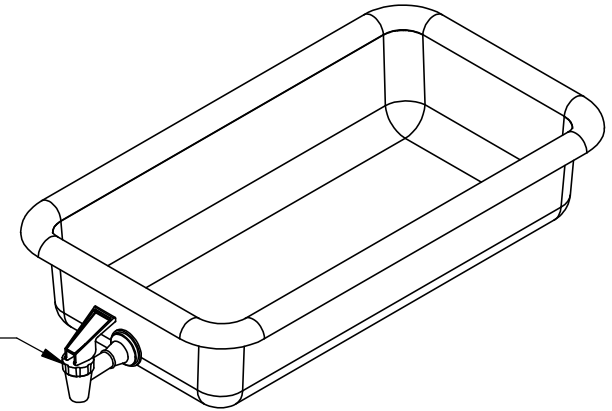


White HFSLT Faucet
3/4"-16 UNF 1" Long #16598



18"x10"x4" Natural Polyethylene
Tamco Tray with Faucet #57869



1390 Neubrecht Road
Lima, Ohio 45801

STOCK NO.

57869

REV

A

DO NOT SCALE DRAWING

WEIGHT: 2 lbs.

DIMENSIONS ARE IN INCHES TOLERANCE: ± 1/4"		NAME	DATE
MATERIAL	LLDPE - FDA resin	DRAWN	JMP 6/19/19
CAPACITY	2 US gal.	Revised	
GRADUATIONS	NO	APPROVED	
NOMINAL WALL THICKNESS	1/8"	COMMENTS: Translucent UV Stabilized	

PROPRIETARY AND CONFIDENTIAL

THE INFORMATION CONTAINED IN THIS DRAWING IS THE SOLE PROPERTY OF TAMCO. ANY REPRODUCTION IN PART OR AS A WHOLE WITHOUT THE WRITTEN PERMISSION OF TAMCO IS PROHIBITED.

MAX. OPERATING TEMP. 140°F
INTERMITTENT SERVICE TO 160°F
SEE CHEMICAL RESISTANCE
CHART FOR COMPATIBILITY