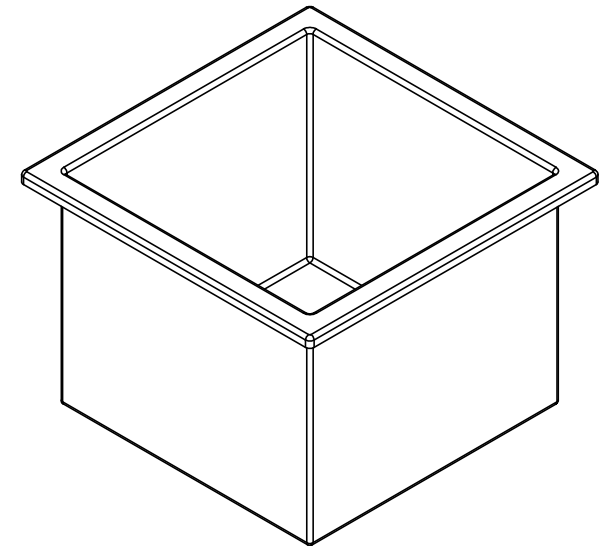
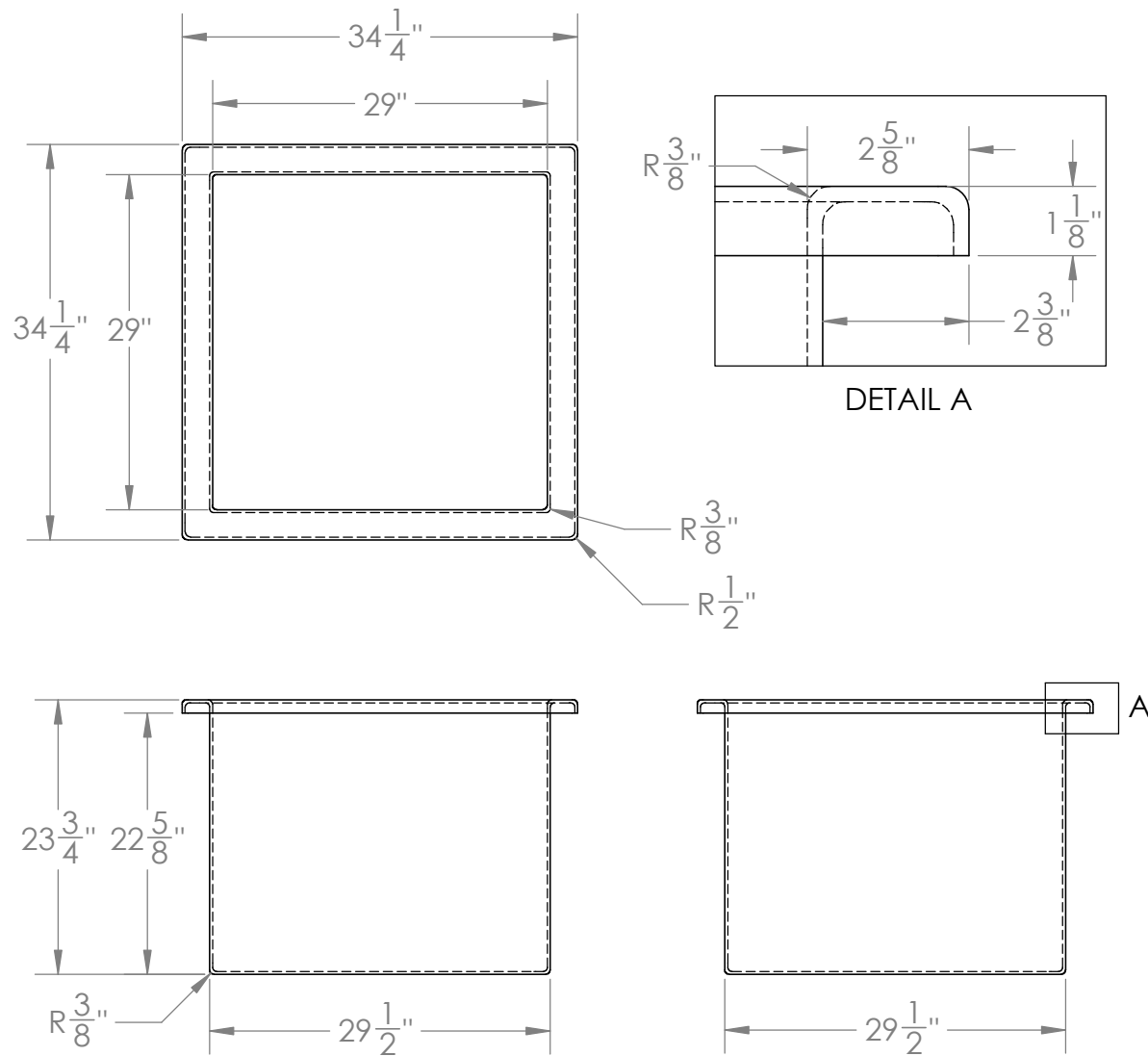


Catalog options:  
Cover #6206



Heavy Duty Polyethylene  
Tank w/ External Flange  
#6108



1390 Neubrecht Road  
Lima, Ohio 45801

STOCK NO.	<b>6108</b>	REV	<b>A</b>
DO NOT SCALE DRAWING		WEIGHT: 50 lbs.	

DIMENSIONS ARE IN INCHES TOLERANCE: ± 1/4"		NAME	DATE
MATERIAL	LLDPE - FDA resin	DRAWN	CDH 06/14/16
CAPACITY	92 US gal.	APPROVED	BAT 07/13/16
GRADUATIONS	NO	COMMENTS:	
NOMINAL WALL THICKNESS	1/4"	Translucent UV Stabilized	

**PROPRIETARY AND CONFIDENTIAL**  
THE INFORMATION CONTAINED IN THIS DRAWING IS THE SOLE PROPERTY OF TAMCO. ANY REPRODUCTION IN PART OR AS A WHOLE WITHOUT THE WRITTEN PERMISSION OF TAMCO IS PROHIBITED.

MAX. OPERATING TEMP. 140°F  
INTERMITTENT SERVICE TO 160°F  
SEE CHEMICAL RESISTANCE  
CHART FOR COMPATIBILITY