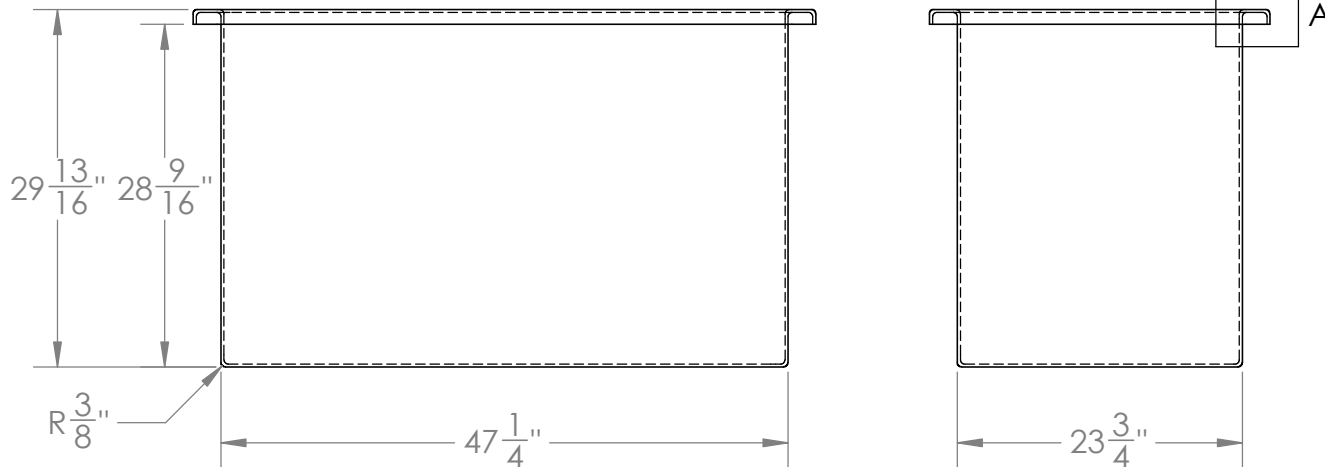
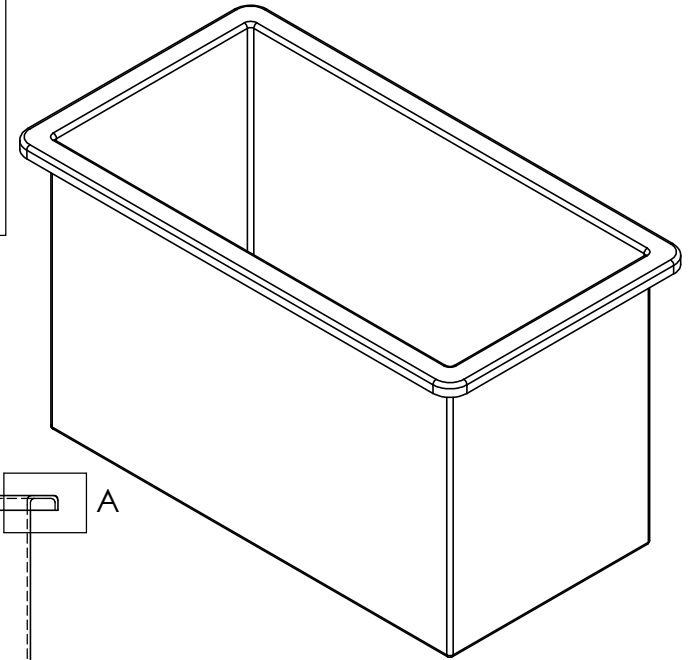
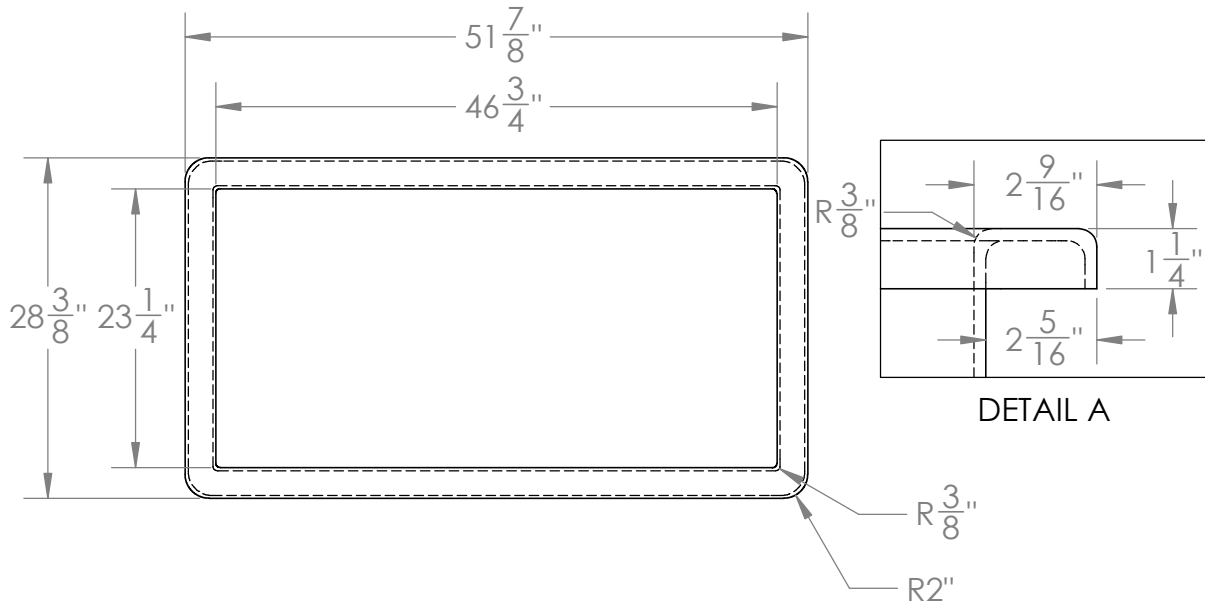


Catalog options:
Cover #6215



Heavy Duty Polyethylene
Tank w/ External Flange
#6118



DIMENSIONS ARE IN INCHES TOLERANCE: ± 1/4"		NAME	DATE
MATERIAL	LLDPE - FDA resin	DRAWN	CDH 06/14/16
CAPACITY	135 US gal.	APPROVED	BAT 07/13/16
GRADUATIONS	NO	COMMENTS: Translucent UV Stabilized	
NOMINAL WALL THICKNESS	1/4"		

PROPRIETARY AND CONFIDENTIAL
THE INFORMATION CONTAINED IN THIS DRAWING IS THE SOLE PROPERTY OF TAMCO. ANY REPRODUCTION IN PART OR AS A WHOLE WITHOUT THE WRITTEN PERMISSION OF TAMCO IS PROHIBITED.

MAX. OPERATING TEMP. 140°F
INTERMITTENT SERVICE TO 160°F
SEE CHEMICAL RESISTANCE
CHART FOR COMPATIBILITY

STOCK NO.	6118	REV	A
DO NOT SCALE DRAWING		WEIGHT: 135 lbs.	