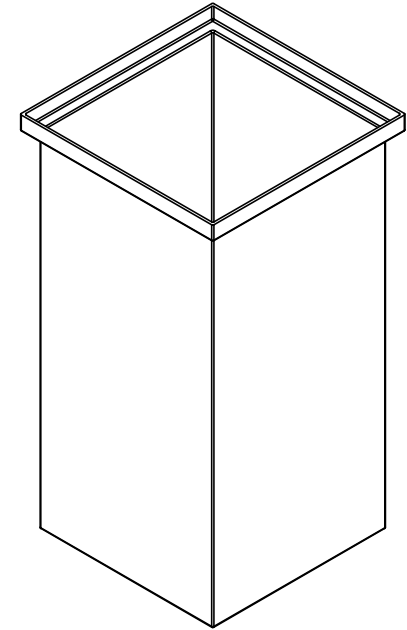
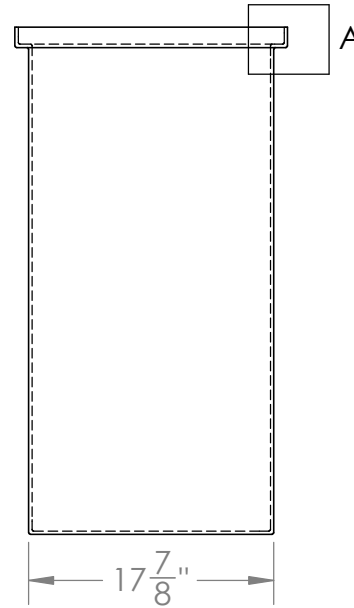
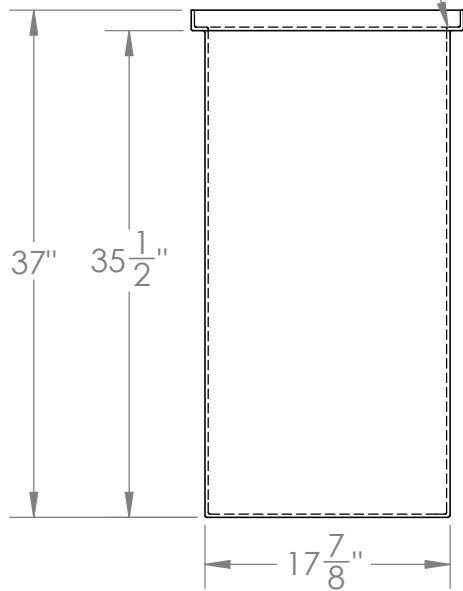


DETAIL A

Catalog options:
Cover #6362



ALL FILLETS AND
ROUNDS $\frac{1}{8}$ "



Heavy Duty Polyethylene
Tank w/ Internal Flange #6316



DIMENSIONS ARE IN INCHES
TOLERANCE: $\pm 1/4$ "

MATERIAL
LLDPE - FDA resin

CAPACITY
51 US gal.

GRADUATIONS
NO

NOMINAL WALL THICKNESS
 $1/4$ "

	NAME	DATE
DRAWN	CDH	06/13/16
APPROVED	BAT	07/14/16

COMMENTS:

Translucent
UV Stabilized

STOCK NO.

6316

REV

A

DO NOT SCALE DRAWING

WEIGHT: 27 lbs.

PROPRIETARY AND CONFIDENTIAL

THE INFORMATION CONTAINED IN THIS DRAWING IS THE SOLE PROPERTY OF TAMCO. ANY REPRODUCTION IN PART OR AS A WHOLE WITHOUT THE WRITTEN PERMISSION OF TAMCO IS PROHIBITED.

MAX. OPERATING TEMP. 140°F
INTERMITTENT SERVICE TO 160°F
SEE CHEMICAL RESISTANCE
CHART FOR COMPATIBILITY