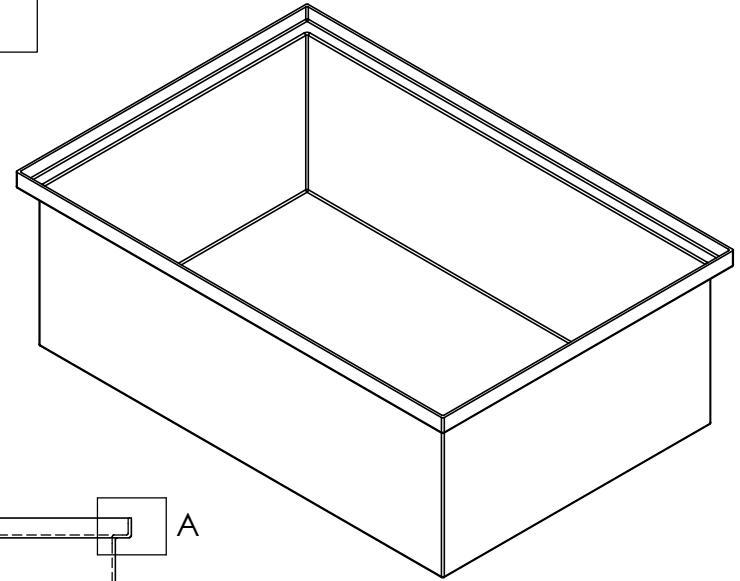
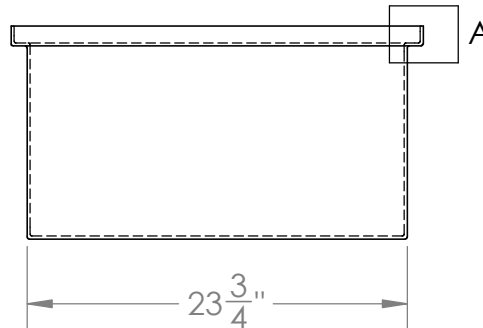
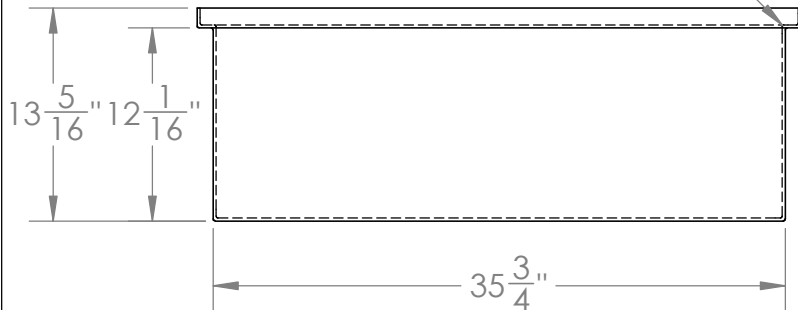


DETAIL A

Catalog options:  
Cover #6378



ALL FILLETS AND  
ROUNDS R $\frac{1}{8}$ "



Heavy Duty Polyethylene  
Tank w/ Internal Flange #6328



1390 Neubrecht Road  
Lima, Ohio 45801

STOCK NO. **6328** REV **A**

DO NOT SCALE DRAWING

WEIGHT: 23 lbs.

DIMENSIONS ARE IN INCHES TOLERANCE: $\pm 1/4$ "		NAME	DATE
MATERIAL	LLDPE - FDA resin	DRAWN	CDH 06/13/16
CAPACITY	45 US gal.	APPROVED	BAT 07/14/16
GRADUATIONS	NO	COMMENTS:	
NOMINAL WALL THICKNESS	3/16"	Translucent UV Stabilized	

**PROPRIETARY AND CONFIDENTIAL**  
THE INFORMATION CONTAINED IN THIS DRAWING IS THE SOLE PROPERTY OF TAMCO. ANY REPRODUCTION IN PART OR AS A WHOLE WITHOUT THE WRITTEN PERMISSION OF TAMCO IS PROHIBITED.

MAX. OPERATING TEMP. 140°F  
INTERMITTENT SERVICE TO 160°F  
SEE CHEMICAL RESISTANCE  
CHART FOR COMPATIBILITY