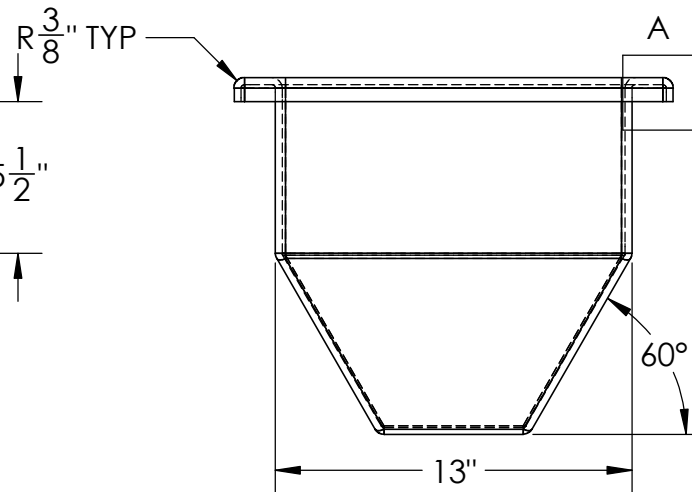
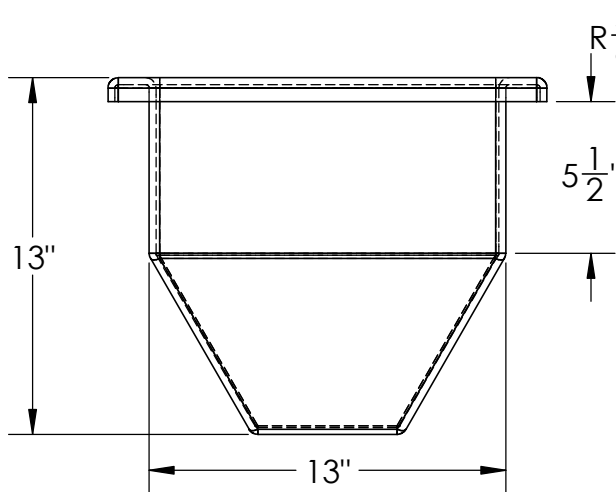
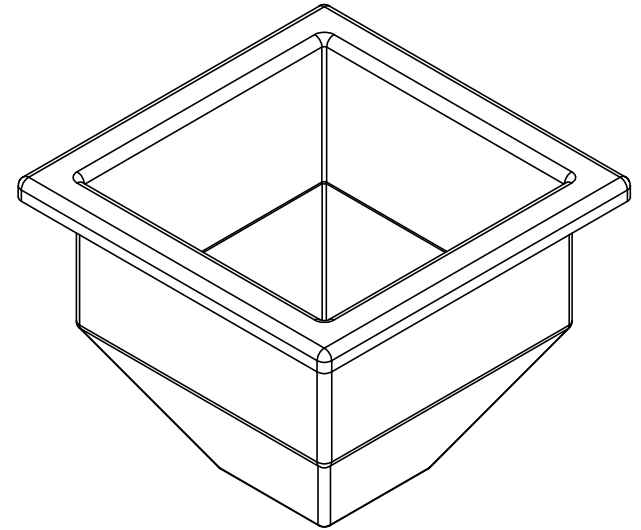


DETAIL A



Rectangular Food Hopper



1390 Neubrecht Road
Lima, Ohio 45801

STOCK NO.
86487, 86488, 86489, 86490,
86491, 86492, 86493

REV
A

DO NOT SCALE DRAWING

WEIGHT: 7 lbs.

DIMENSIONS ARE IN INCHES TOLERANCE: ± 1/4"		NAME	DATE
MATERIAL	LLDPE - FDA resin	DRAWN	JMP 11/04/22
CAPACITY	7 Gal	APPROVED	
GRADUATIONS	N/A	REVISIONS	NJV 6/13/23
NOMINAL WALL THICKNESS	1/4"	COMMENTS: Natural, Black, White, Red, Blue, Green, Yellow	

PROPRIETARY AND CONFIDENTIAL
THE INFORMATION CONTAINED IN THIS DRAWING IS THE SOLE PROPERTY OF TAMCO. ANY REPRODUCTION IN PART OR AS A WHOLE WITHOUT THE WRITTEN PERMISSION OF TAMCO IS PROHIBITED.

MAX. OPERATING TEMP. 140°F
INTERMITTENT SERVICE TO 160°F
SEE CHEMICAL RESISTANCE CHART FOR COMPATIBILITY