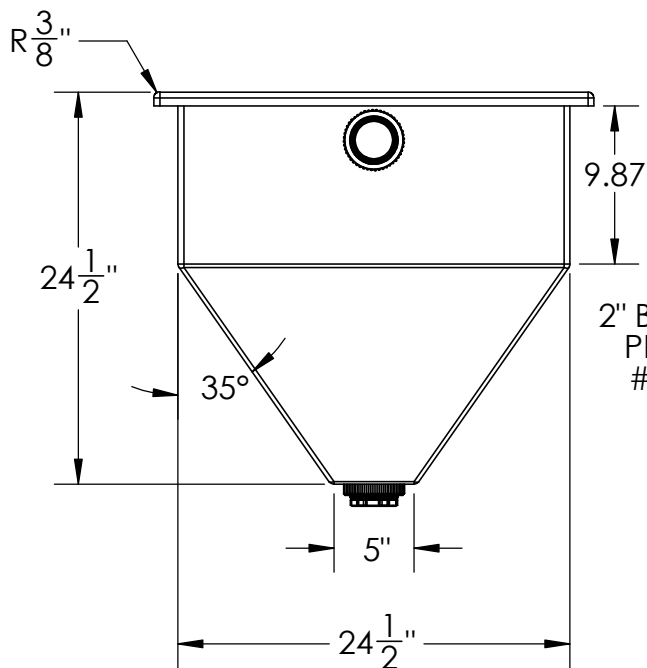
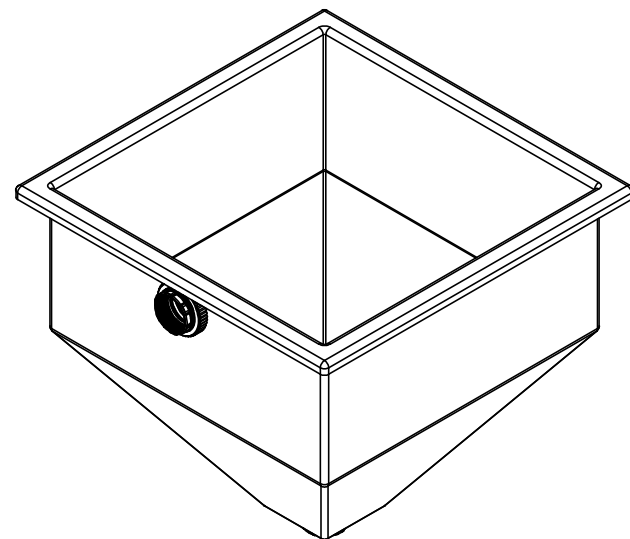
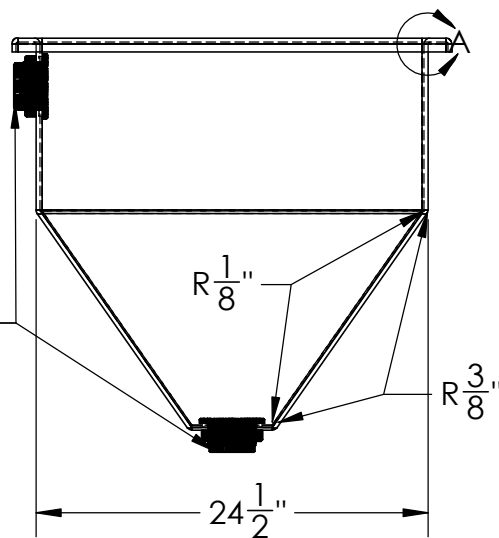


DETAIL A



2" Bulkhead
PP Fitting
#970211



24" Square Hopper
In & Out 2" FNPT



1390 Neubrecht Road
Lima, Ohio 45801

STOCK NO.
89718, 89719, 89720, 89721,
89722, 89723, 89724

REV
A

DO NOT SCALE DRAWING

WEIGHT: 20 lbs.

PROPRIETARY AND CONFIDENTIAL

THE INFORMATION CONTAINED IN THIS DRAWING IS THE SOLE PROPERTY OF TAMCO. ANY REPRODUCTION IN PART OR AS A WHOLE WITHOUT THE WRITTEN PERMISSION OF TAMCO IS PROHIBITED.

MAX. OPERATING TEMP. 140°F
INTERMITTENT SERVICE TO 160°F
SEE CHEMICAL RESISTANCE
CHART FOR COMPATABILITY

DIMENSIONS ARE IN INCHES
TOLERANCE: ± 1/4"

MATERIAL
LLDPE - FDA resin

CAPACITY

-

GRADUATIONS

N/A

NOMINAL WALL THICKNESS
1/4"

	NAME	DATE
DRAWN	NJV	11/12/24
APPROVED		
REVISIONS		

COMMENTS:

Natural, Black, White
Red, Blue, Green, Yellow
UV Stabilized