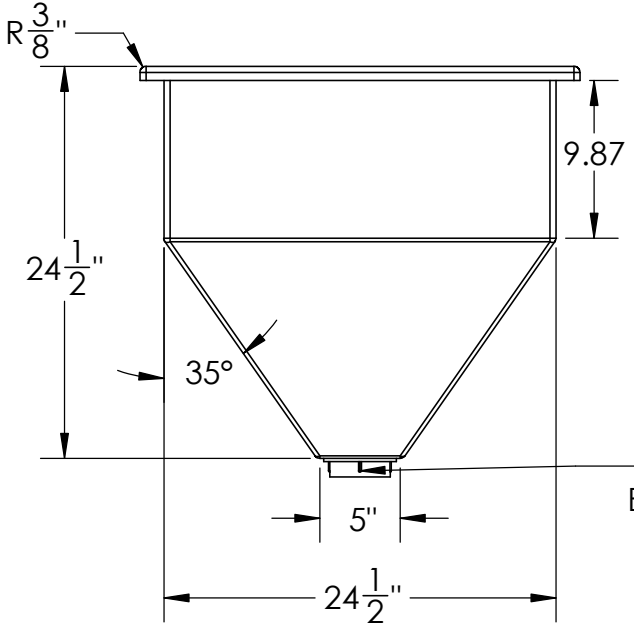
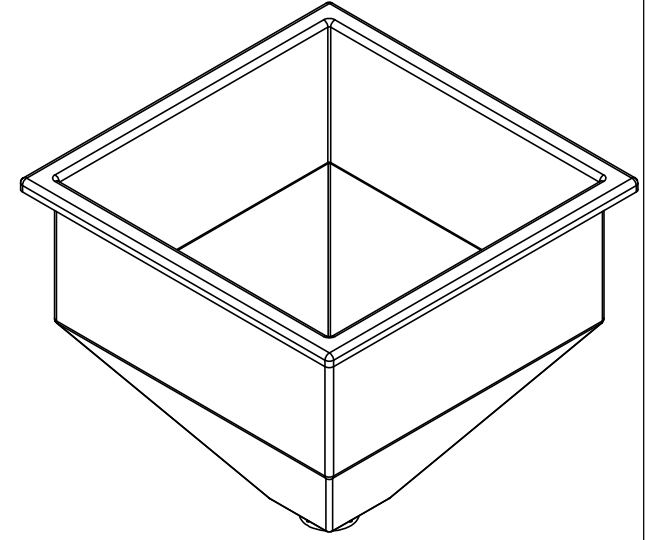
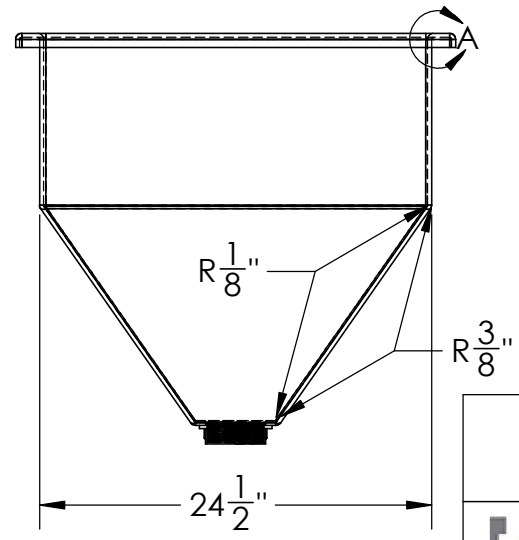


DETAIL A



3" Poly-E Boss Fitting #970176



24" Square Hopper with 3" Out Fitting



1390 Neubrecht Road
Lima, Ohio 45801

STOCK NO.
89725, 89726, 89727, 89728,
89729, 89730, 89731

REV
A

DO NOT SCALE DRAWING

WEIGHT: 19 lbs.

DIMENSIONS ARE IN INCHES TOLERANCE: ± 1/4"		NAME	DATE
MATERIAL	LLDPE - FDA resin	DRAWN	NJV 11/13/24
CAPACITY	-	APPROVED	
GRADUATIONS	N/A	REVISIONS	
NOMINAL WALL THICKNESS	1/4"	COMMENTS: Natural, Black, White Red, Blue, Green, Yellow UV Stabilized	

PROPRIETARY AND CONFIDENTIAL
THE INFORMATION CONTAINED IN THIS DRAWING IS THE SOLE PROPERTY OF TAMCO. ANY REPRODUCTION IN PART OR AS A WHOLE WITHOUT THE WRITTEN PERMISSION OF TAMCO IS PROHIBITED.

MAX. OPERATING TEMP. 140°F
INTERMITTENT SERVICE TO 160°F
SEE CHEMICAL RESISTANCE
CHART FOR COMPATIBILITY