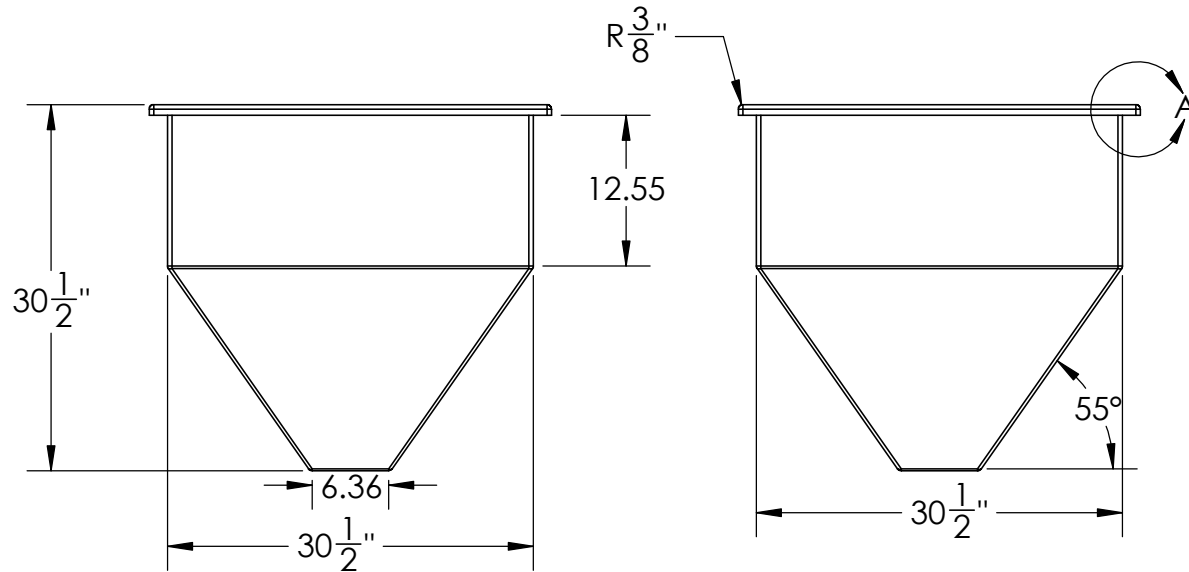


DETAIL A



30" Square Hopper  
No Fittings



1390 Neubrecht Road  
Lima, Ohio 45801

STOCK NO.  
89739, 89740, 89741, 89742,  
89743, 89744, 89745

REV  
**A**

DO NOT SCALE DRAWING

WEIGHT: 29 lbs.

DIMENSIONS ARE IN INCHES TOLERANCE: ± 1/4"		NAME	DATE
MATERIAL	LLDPE - FDA resin	DRAWN	NJV 5/8/24
CAPACITY	-	APPROVED	
GRADUATIONS	N/A	REVISIONS	
NOMINAL WALL THICKNESS	1/4"	COMMENTS: Natural, Black, White, Red, Blue, Green, Yellow UV Stabilized	

**PROPRIETARY AND CONFIDENTIAL**

THE INFORMATION CONTAINED IN THIS DRAWING IS THE SOLE PROPERTY OF TAMCO. ANY REPRODUCTION IN PART OR AS A WHOLE WITHOUT THE WRITTEN PERMISSION OF TAMCO IS PROHIBITED.

MAX. OPERATING TEMP. 140°F  
INTERMITTENT SERVICE TO 160°F  
SEE CHEMICAL RESISTANCE  
CHART FOR COMPATABILITY