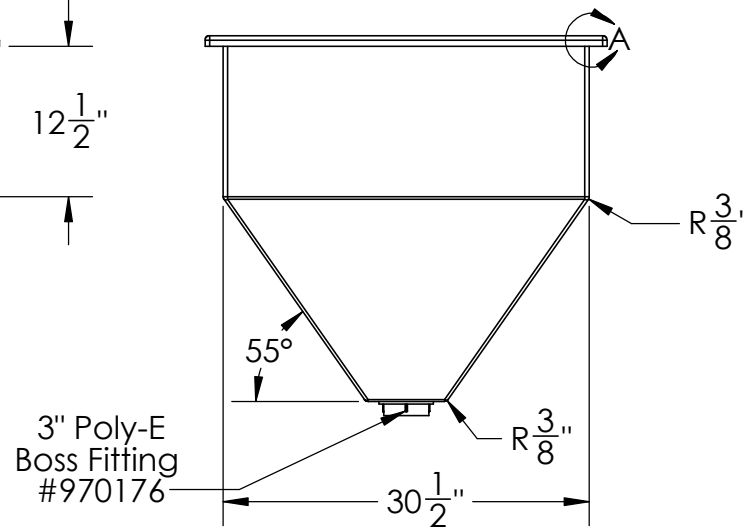
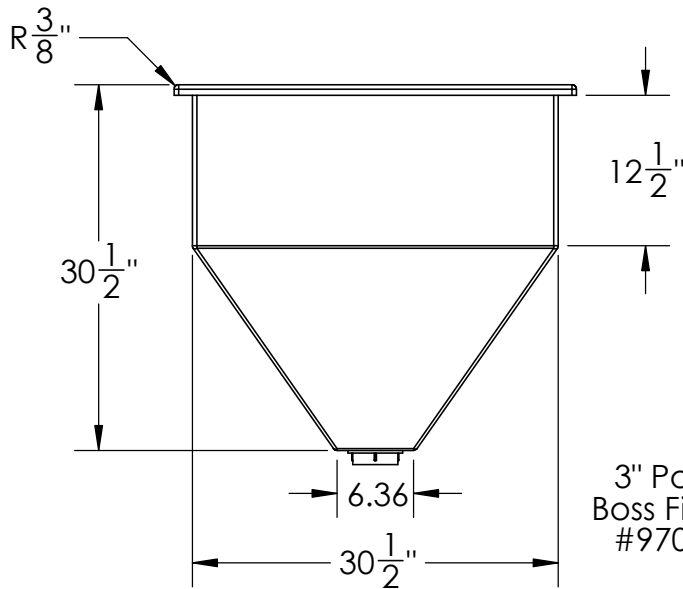
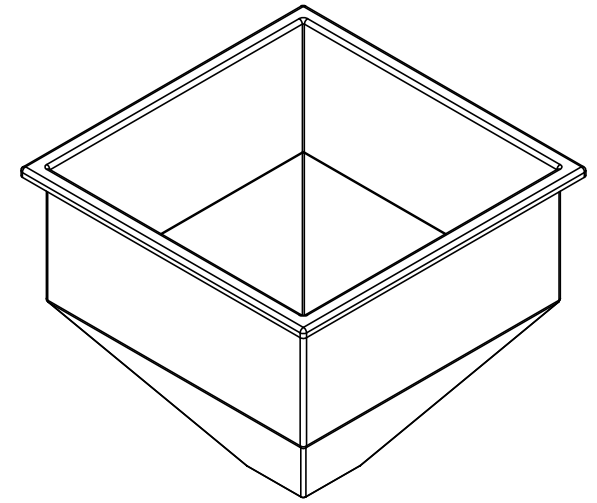


DETAIL A



3" Poly-E  
Boss Fitting  
#970176

30" Square Hopper  
with 3" Out Fitting



1390 Neubrecht Road  
Lima, Ohio 45801

STOCK NO.  
89753, 89754, 89755, 89756,  
89757, 89759, 89759

REV  
**A**

DO NOT SCALE DRAWING

WEIGHT: 29 lbs.

DIMENSIONS ARE IN INCHES TOLERANCE: ± 1/4"		NAME	DATE
MATERIAL	LLDPE - FDA resin	DRAWN	NJV 11/13/24
CAPACITY	80 Gal	APPROVED	
GRADUATIONS	N/A	REVISIONS	
NOMINAL WALL THICKNESS	1/4"	COMMENTS: Natural, Black, White, Red, Blue, Green, Yellow UV Stabilized	

**PROPRIETARY AND CONFIDENTIAL**  
THE INFORMATION CONTAINED IN THIS  
DRAWING IS THE SOLE PROPERTY OF  
TAMCO. ANY REPRODUCTION IN PART  
OR AS A WHOLE WITHOUT THE WRITTEN  
PERMISSION OF TAMCO IS PROHIBITED.

MAX. OPERATING TEMP. 140°F  
INTERMITTENT SERVICE TO 160°F  
SEE CHEMICAL RESISTANCE  
CHART FOR COMPATIBILITY