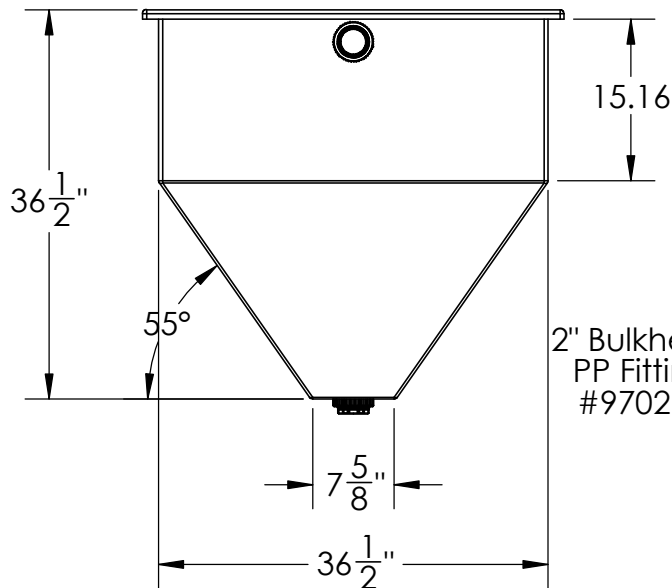
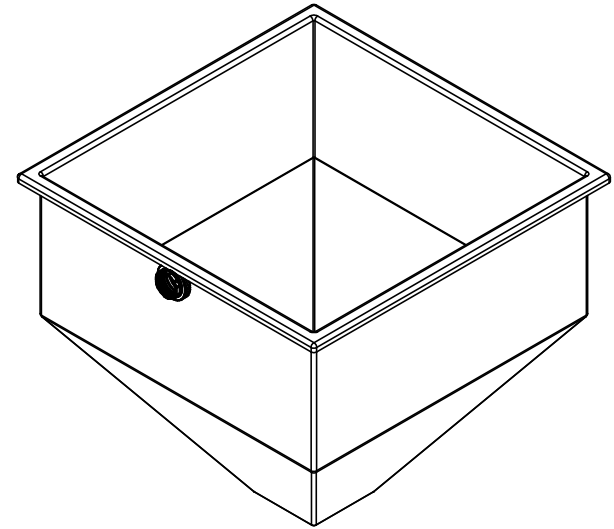
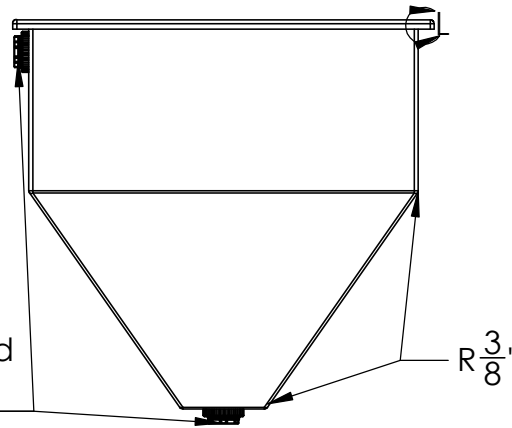


DETAIL L



2" Bulkhead
PP Fitting
#970211



Rectangular Food Hopper 36"
In & Out 2" FNPT



1390 Neubrecht Road
Lima, Ohio 45801

STOCK NO.
89774, 89775, 89776, 89777,
89778, 89779, 89780

REV
A

DO NOT SCALE DRAWING

WEIGHT: 42 lbs.

PROPRIETARY AND CONFIDENTIAL

THE INFORMATION CONTAINED IN THIS DRAWING IS THE SOLE PROPERTY OF TAMCO. ANY REPRODUCTION IN PART OR AS A WHOLE WITHOUT THE WRITTEN PERMISSION OF TAMCO IS PROHIBITED.

MAX. OPERATING TEMP. 140°F
INTERMITTENT SERVICE TO 160°F
SEE CHEMICAL RESISTANCE
CHART FOR COMPATIBILITY

DIMENSIONS ARE IN INCHES
TOLERANCE: ± 1/4"

MATERIAL
LLDPE - FDA resin

CAPACITY
135 Gal

GRADUATIONS
N/A

NOMINAL WALL THICKNESS
1/4"

	NAME	DATE
DRAWN	NJV	11/13/24
APPROVED		
REVISIONS		

COMMENTS:
Natural, Black, White,
Red, Blue, Green, Yellow
UV Stabilized