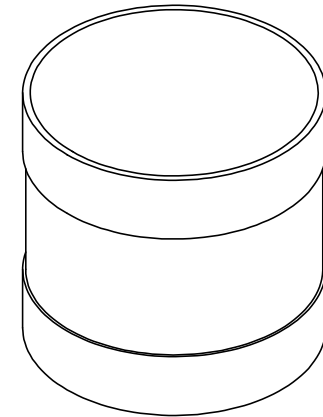
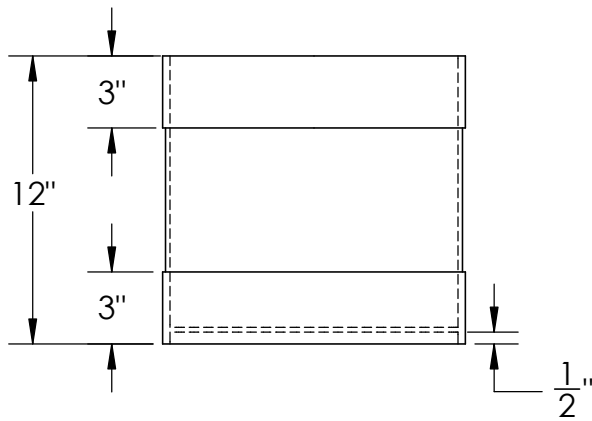
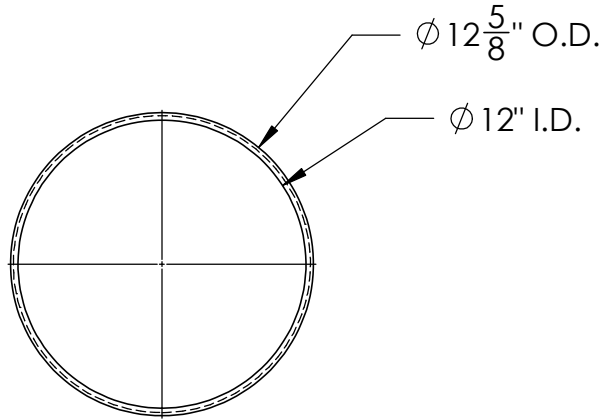


Catalog Options:
 Cover #9100
 Fittings available up to 1"



Polypropylene Cylindrical
 Tank #9001



1390 Neubrecht Road
 Lima, Ohio 45801

STOCK NO.	9001	REV	A
DO NOT SCALE DRAWING		WEIGHT: 7.2 lbs.	

DIMENSIONS ARE IN INCHES TOLERANCE: $\pm 1/4$ "	NAME	DATE
MATERIAL POLYPROPYLENE	DRAWN CDH	07/06/16
CAPACITY 5 US gal.	APPROVED BAT	07/14/16
GRADUATIONS NO	COMMENTS: Welded Construction	
NOMINAL WALL THICKNESS 3/16"		

PROPRIETARY AND CONFIDENTIAL
 THE INFORMATION CONTAINED IN THIS DRAWING IS THE SOLE PROPERTY OF TAMCO. ANY REPRODUCTION IN PART OR AS A WHOLE WITHOUT THE WRITTEN PERMISSION OF TAMCO IS PROHIBITED.

MAX. OPERATING TEMP. 200°F
 SEE CHEMICAL RESISTANCE CHART FOR COMPATABILITY