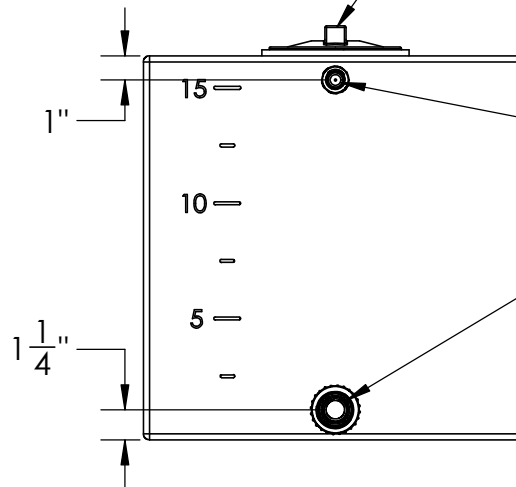
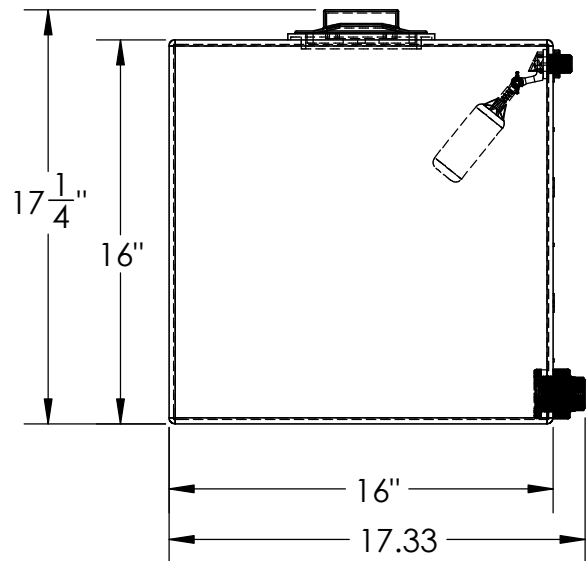


#970225  
4" Lid & Flange Assembly



#23136  
1/2" MIPT PVC Float Valve

#970233  
3/4" Polypropylene Bulkhead Fitting

Natural Rectangular Utility Tank  
with Lid, Fitting & Float Valve



1390 Neubrecht Road  
Lima, Ohio 45801

STOCK NO.  
**90307**

REV  
**A**

DO NOT SCALE DRAWING

WEIGHT: 12 lbs.

**PROPRIETARY AND CONFIDENTIAL**

THE INFORMATION CONTAINED IN THIS DRAWING IS THE SOLE PROPERTY OF TAMCO. ANY REPRODUCTION IN PART OR AS A WHOLE WITHOUT THE WRITTEN PERMISSION OF TAMCO IS PROHIBITED.

MAX. OPERATING TEMP. 140°F  
INTERMITTENT SERVICE TO 160°F  
SEE CHEMICAL RESISTANCE  
CHART FOR COMPATABILITY

DIMENSIONS ARE IN INCHES  
TOLERANCE: ± 1/4"

MATERIAL  
LLDPE - FDA resin

CAPACITY  
15 Gallon

GRADUATIONS  
2.5 Gallon

NOMINAL WALL THICKNESS  
3/16"

NAME  
DATE

DRAWN  
NJV 3/14/24

APPROVED

REVISIONS

COMMENTS:

Natural  
UV Stabilized