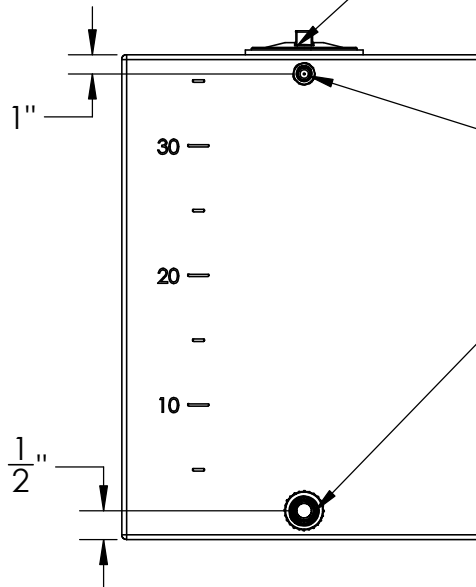


#970225
4" Lid & Flange Assembly



#23136
1/2" MIPT PVC Float Valve

#970233
3/4" Polypropylene Bulkhead Fitting

Rectangular Utility Tank
with Lid, Fitting & Float Valve



1390 Neubrecht Road
Lima, Ohio 45801

STOCK NO.

90311

REV
A

DO NOT SCALE DRAWING

WEIGHT: 23 lbs.

DIMENSIONS ARE IN INCHES TOLERANCE: ± 1/4"		NAME	DATE
MATERIAL	LLDPE - FDA resin	DRAWN	NJV 3/14/24
CAPACITY	35 Gallon	APPROVED	
GRADUATIONS	5 Gallon	REVISIONS	
NOMINAL WALL THICKNESS	3/16"	COMMENTS: Natural UV Stabilized	

PROPRIETARY AND CONFIDENTIAL

THE INFORMATION CONTAINED IN THIS DRAWING IS THE SOLE PROPERTY OF TAMCO. ANY REPRODUCTION IN PART OR AS A WHOLE WITHOUT THE WRITTEN PERMISSION OF TAMCO IS PROHIBITED.

MAX. OPERATING TEMP. 140°F
INTERMITTENT SERVICE TO 160°F
SEE CHEMICAL RESISTANCE
CHART FOR COMPATIBILITY