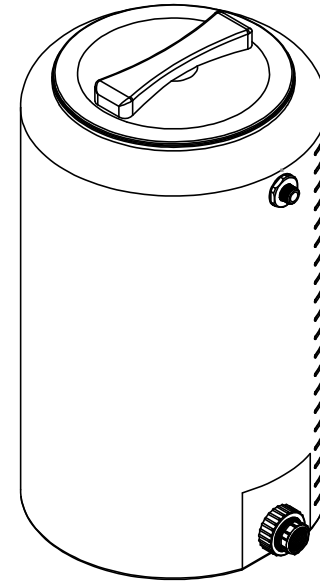
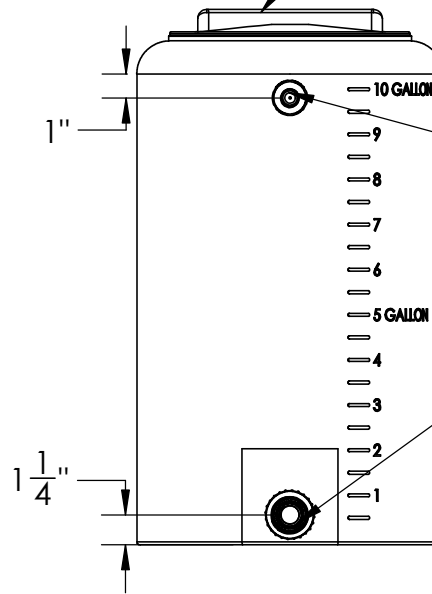
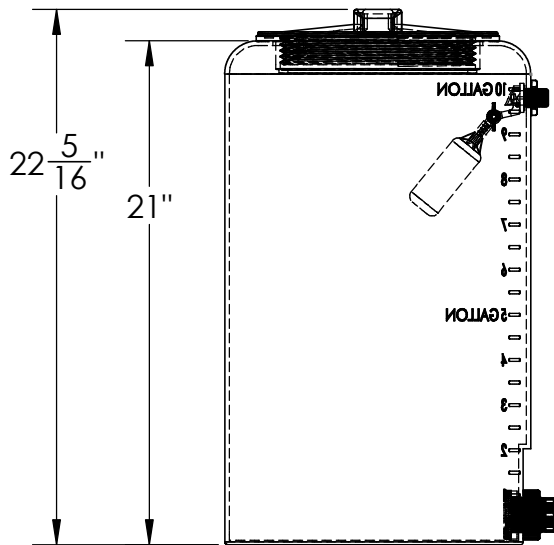


Catalog option:  
Tank Stand #5060



#970228  
8" Lid & Flange Assembly



#23136  
1/2" MIPT PVC Float Valve

#970233  
3/4" Polypropylene  
Bulkhead Fitting

Tamco Vertical Closed  
Head Tank w/  
Lid, Fitting & Float Valve



1390 Neubrecht Road  
Lima, Ohio 45801

STOCK NO.

90317

REV  
A

DO NOT SCALE DRAWING

WEIGHT: 10 lbs.

DIMENSIONS ARE IN INCHES TOLERANCE: ± 1/4"		NAME	DATE
MATERIAL	LLDPE - FDA resin	DRAWN	NJV 3/19/24
CAPACITY	10 US gal.	APPROVED	
GRADUATIONS	1/2 gal.	COMMENTS: Translucent UV Stabilized	
NOMINAL WALL THICKNESS	3/16"		

**PROPRIETARY AND CONFIDENTIAL**

THE INFORMATION CONTAINED IN THIS DRAWING IS THE SOLE PROPERTY OF TAMCO. ANY REPRODUCTION IN PART OR AS A WHOLE WITHOUT THE WRITTEN PERMISSION OF TAMCO IS PROHIBITED.

MAX. OPERATING TEMP. 140°F  
INTERMITTENT SERVICE TO 160°F  
SEE CHEMICAL RESISTANCE  
CHART FOR COMPATIBILITY