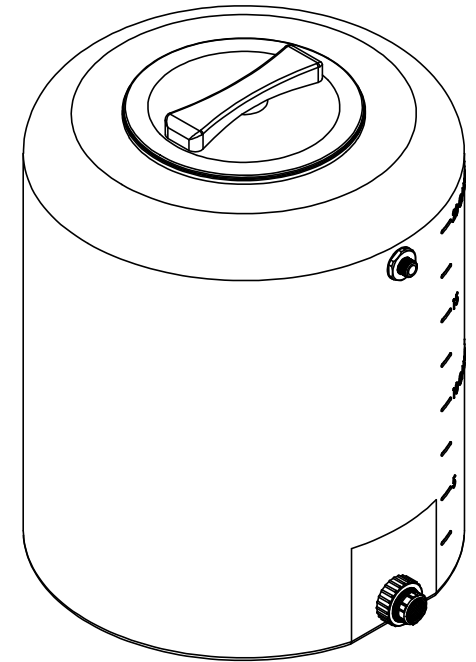
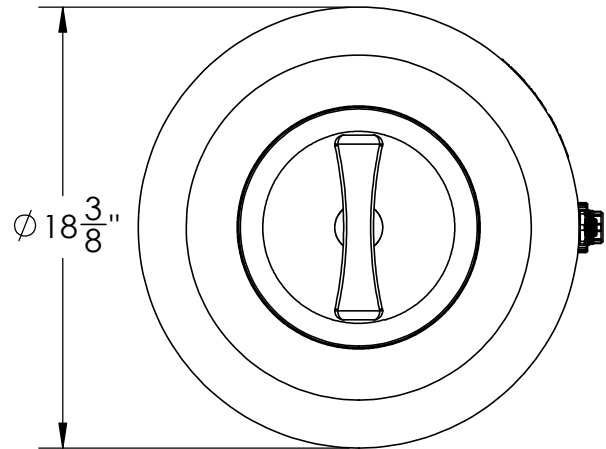
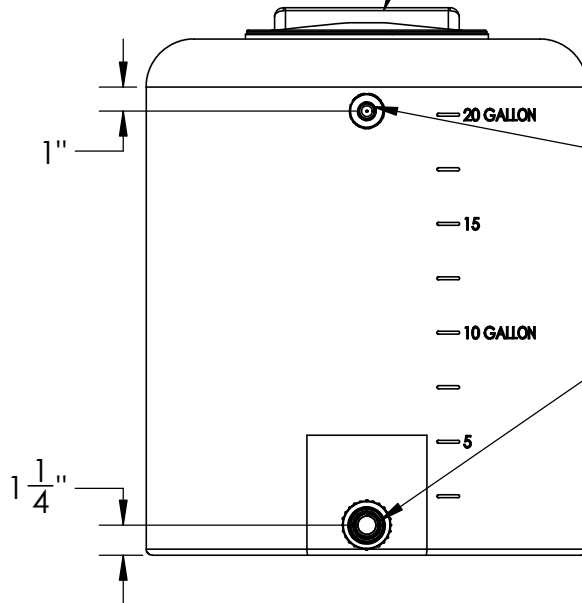
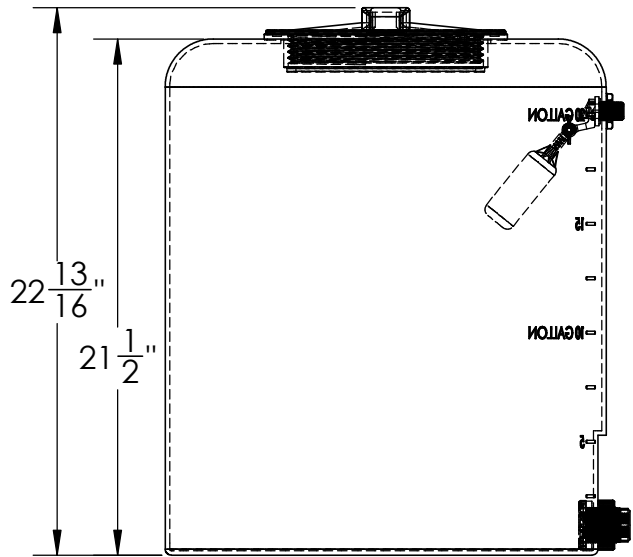


Catalog option:
Tank Stand #5061



#970228
8" Lid & Flange Assembly



#23136
1/2" MIPT PVC Float Valve

#970233
3/4" Polypropylene
Bulkhead Fitting

Tamco Vertical Closed
Head Tank w/
Lid, Fitting & Float Valve



1390 Neubrecht Road
Lima, Ohio 45801

STOCK NO.

90319

REV

A

DO NOT SCALE DRAWING

WEIGHT: 15 lbs.

DIMENSIONS ARE IN INCHES
TOLERANCE: ± 1/4"

MATERIAL
LLDPE - FDA resin

CAPACITY
20 US gal.

GRADUATIONS
2-1/2 gal.

NOMINAL WALL THICKNESS
3/16"

NAME
DATE

DRAWN
APPROVED

COMMENTS:

Translucent
UV Stabilized

PROPRIETARY AND CONFIDENTIAL

THE INFORMATION CONTAINED IN THIS
DRAWING IS THE SOLE PROPERTY OF
TAMCO. ANY REPRODUCTION IN PART
OR AS A WHOLE WITHOUT THE WRITTEN
PERMISSION OF TAMCO IS PROHIBITED.

MAX. OPERATING TEMP. 140°F
INTERMITTENT SERVICE TO 160°F
SEE CHEMICAL RESISTANCE
CHART FOR COMPATIBILITY