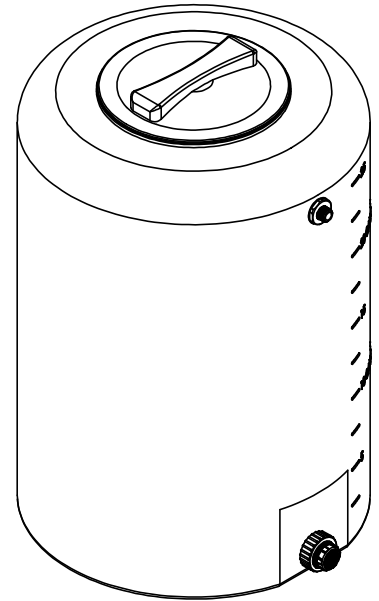
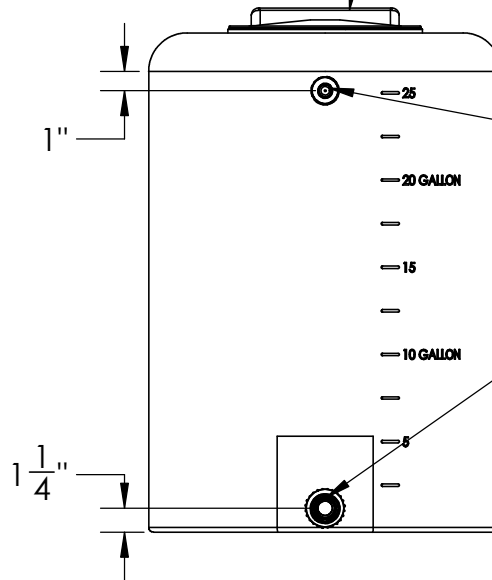
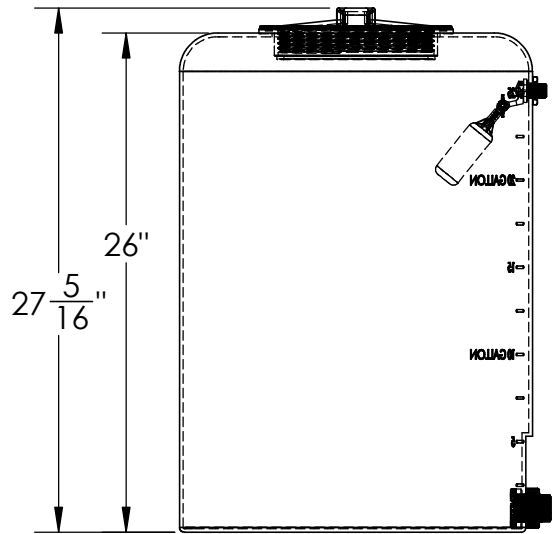


Catalog option:  
Tank Stand #5061



#970228  
8" Lid & Flange Assembly



#23136  
1/2" MIPT PVC Float Valve

#970233  
3/4" Polypropylene  
Bulkhead Fitting

Tamco Vertical Closed  
Head Tank w/  
Lid, Fitting & Float Valve



1390 Neubrecht Road  
Lima, Ohio 45801

STOCK NO.

90320

REV

A

DO NOT SCALE DRAWING

WEIGHT: 18 lbs.

DIMENSIONS ARE IN INCHES TOLERANCE: $\pm 1/4$ "	DRAWN	NAME	DATE
MATERIAL LLDPE - FDA resin	APPROVED	NJV	3/19/24
CAPACITY 25 US gal.	COMMENTS:		
GRADUATIONS 2-1/2 gal.	Translucent UV Stabilized		
NOMINAL WALL THICKNESS 3/16"			

**PROPRIETARY AND CONFIDENTIAL**

THE INFORMATION CONTAINED IN THIS DRAWING IS THE SOLE PROPERTY OF TAMCO. ANY REPRODUCTION IN PART OR AS A WHOLE WITHOUT THE WRITTEN PERMISSION OF TAMCO IS PROHIBITED.

MAX. OPERATING TEMP. 140°F  
INTERMITTENT SERVICE TO 160°F  
SEE CHEMICAL RESISTANCE  
CHART FOR COMPATIBILITY