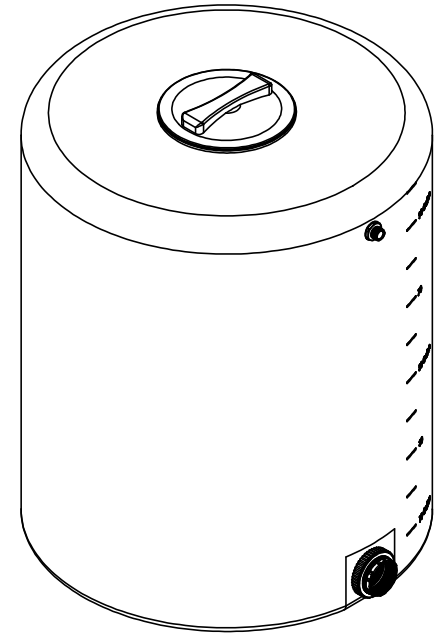
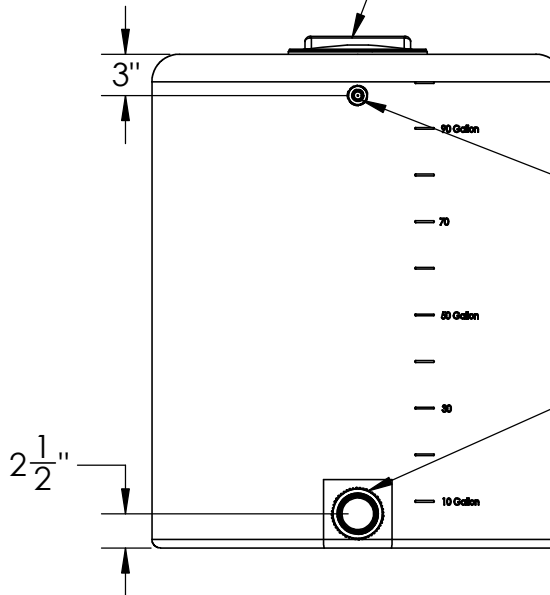
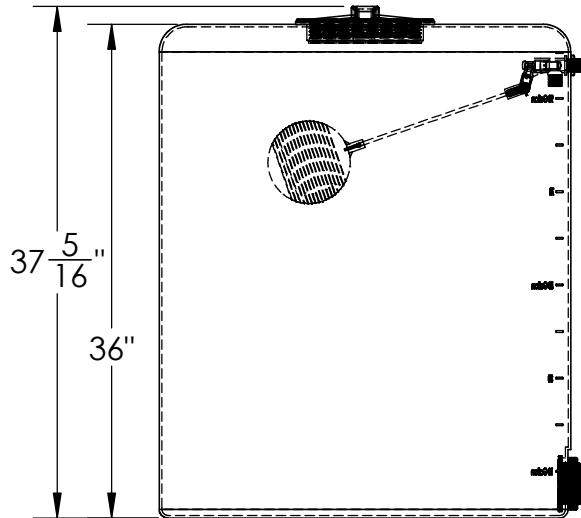


#970228
8" Lid & Flange Assembly



#23143
3/4" MIPT PVC Float Valve



#970211
2" Polypropylene
Bulkhead Fitting

100 Gallon Vertical Natural Tank
w/ Lid, Fitting & Float Valve

TAMCO[®]
INDUSTRIES
1390 Neubrecht Road
Lima, Ohio 45801

STOCK NO. **90325** REV **A**

DO NOT SCALE DRAWING

WEIGHT: 34 lbs.

DIMENSIONS ARE IN INCHES TOLERANCE: ± 1/4"		NAME	DATE
MATERIAL	LLDPE - FDA resin	DRAWN	NJV 3/19/24
CAPACITY	100 US gal.	APPROVED	
GRADUATIONS	10 gal.	COMMENTS: Natural UV Stabilized	
NOMINAL WALL THICKNESS	3/16"		

PROPRIETARY AND CONFIDENTIAL
THE INFORMATION CONTAINED IN THIS
DRAWING IS THE SOLE PROPERTY OF
TAMCO. ANY REPRODUCTION IN PART
OR AS A WHOLE WITHOUT THE WRITTEN
PERMISSION OF TAMCO IS PROHIBITED.

MAX. OPERATING TEMP. 140°F
INTERMITTENT SERVICE TO 160°F
SEE CHEMICAL RESISTANCE
CHART FOR COMPATABILITY