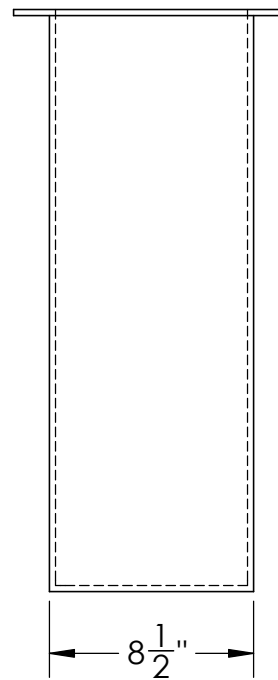
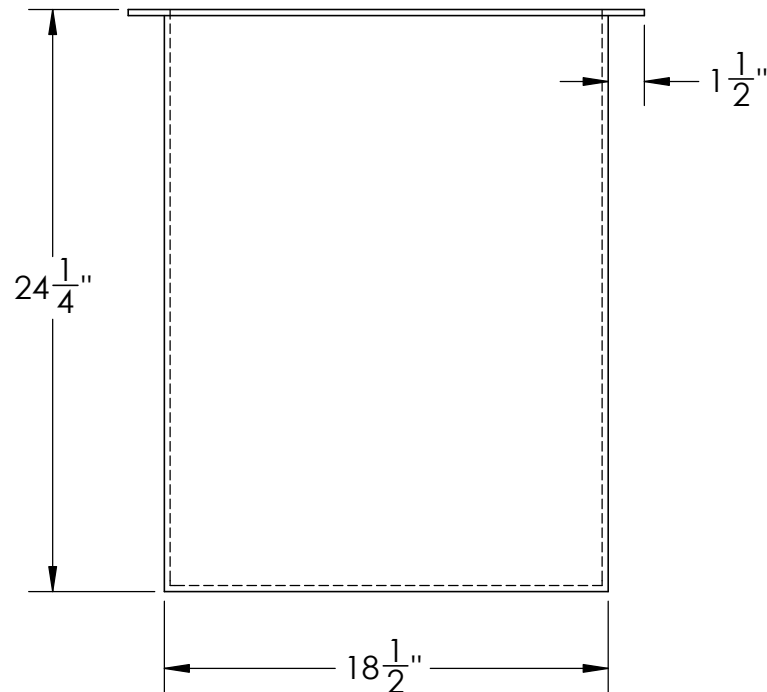
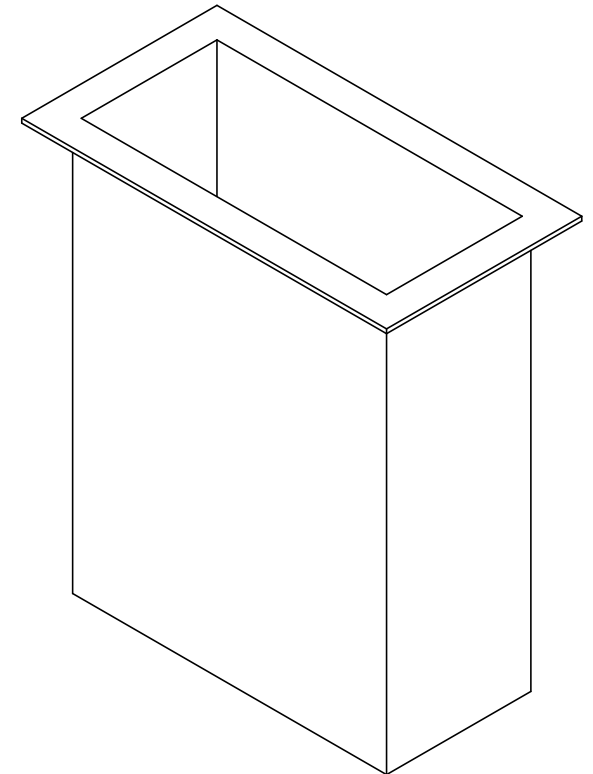


Catalog Option:
Cover #9192



Polypropylene High
Temperature Rectangular
Tank #9164



1390 Neubrecht Road
Lima, Ohio 45801

DIMENSIONS ARE IN INCHES TOLERANCE: ± 1/4"		NAME	DATE
MATERIAL	POLYPROPYLENE	DRAWN	CDH 07/06/16
		APPROVED	BAT 07/14/16
CAPACITY	14 US gal.	COMMENTS: Welded Construction	
GRADUATIONS	N/A		
NOMINAL WALL THICKNESS	1/4"		

STOCK NO.	9164	REV	A
DO NOT SCALE DRAWING		WEIGHT: 17 lbs.	

PROPRIETARY AND CONFIDENTIAL
THE INFORMATION CONTAINED IN THIS
DRAWING IS THE SOLE PROPERTY OF
TAMCO. ANY REPRODUCTION IN PART
OR AS A WHOLE WITHOUT THE WRITTEN
PERMISSION OF TAMCO IS PROHIBITED.

MAX. OPERATING TEMP. 200°F
SEE CHEMICAL RESISTANCE
CHART FOR COMPATABILITY