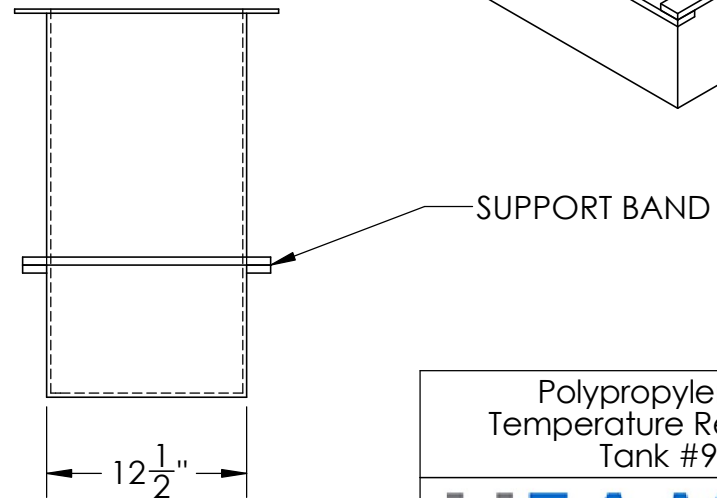
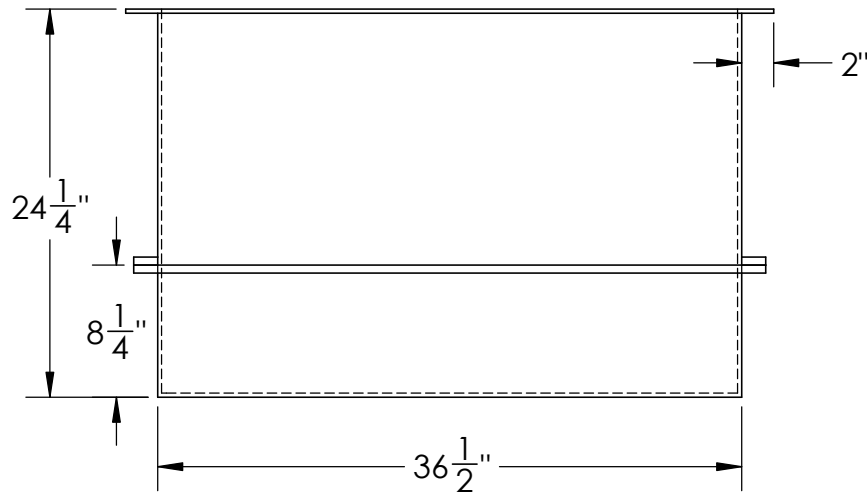
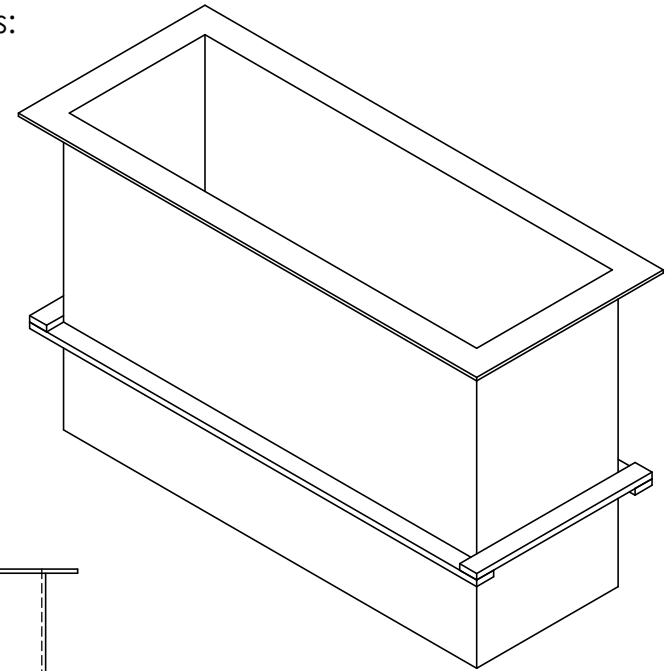
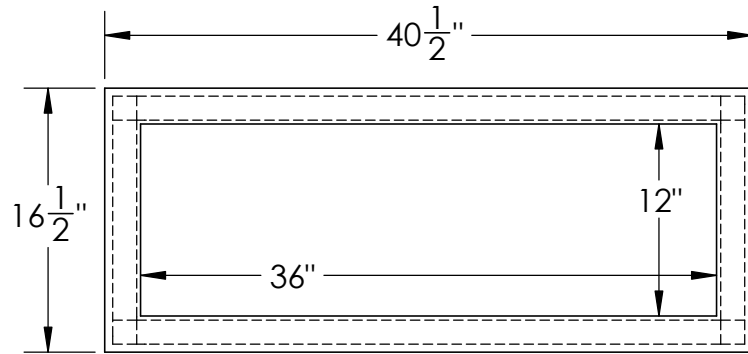


Catalog Options:
Cover #9196



Polypropylene High
Temperature Rectangular
Tank #9175



1390 Neubrecht Road
Lima, Ohio 45801

STOCK NO. **9175** REV **A**

DO NOT SCALE DRAWING

WEIGHT: 65 lbs.

DIMENSIONS ARE IN INCHES TOLERANCE: ± 1/4"		NAME	DATE
MATERIAL	POLYPROPYLENE	DRAWN	CDH 07/05/16
CAPACITY	44 US gal.	APPROVED	BAT 07/14/16
GRADUATIONS	N/A	COMMENTS:	
NOMINAL WALL THICKNESS	1/4"	Welded Construction	

PROPRIETARY AND CONFIDENTIAL
THE INFORMATION CONTAINED IN THIS DRAWING IS THE SOLE PROPERTY OF TAMCO. ANY REPRODUCTION IN PART OR AS A WHOLE WITHOUT THE WRITTEN PERMISSION OF TAMCO IS PROHIBITED.

MAX. OPERATING TEMP. 200°F
SEE CHEMICAL RESISTANCE CHART FOR COMPATABILITY