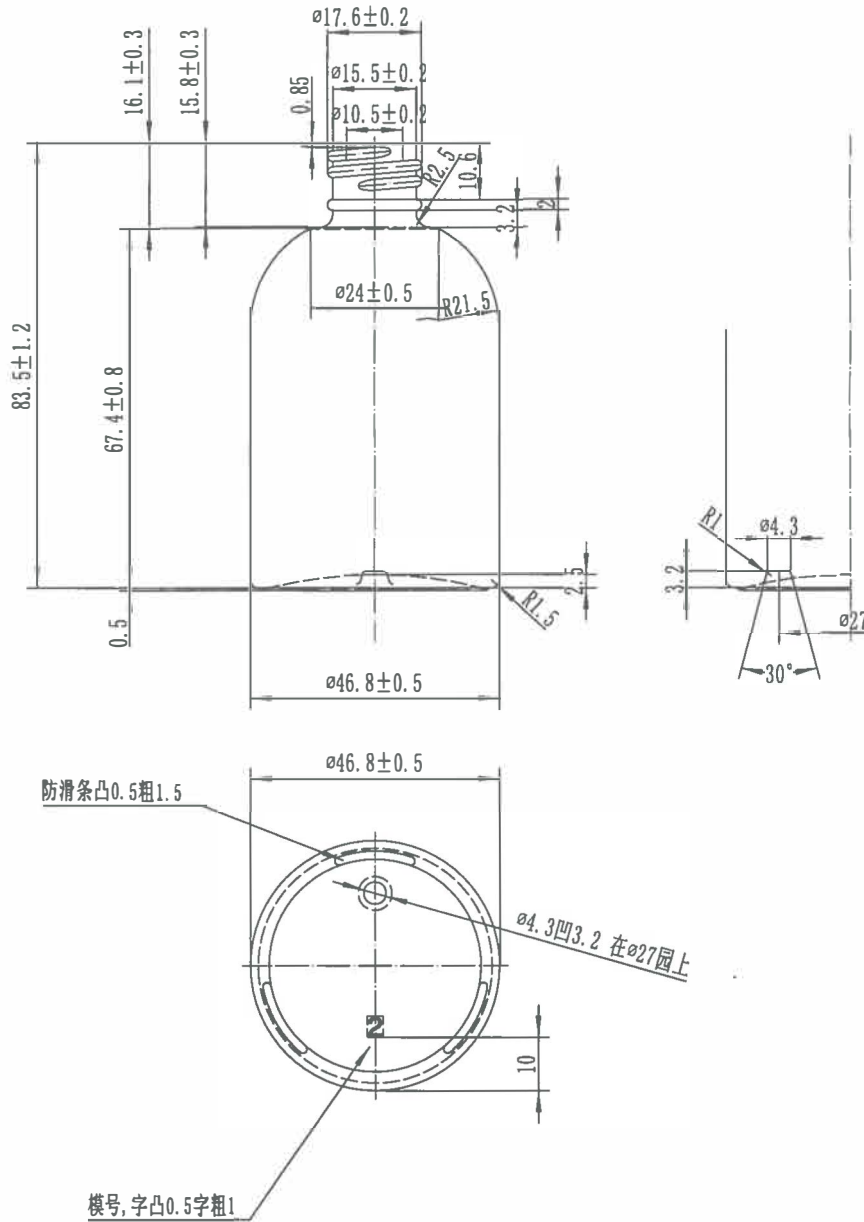


Mold # 116022
 SKW # 116023

PITCH : 3
 Thick teeth : 2
 Turns No. : 2 . 8



NEW HIGH GLASS, INC.

Approved 02.15.23
 Estefania Comella

SCALE	1:1	MATERIAL		TOLERANCE
UNIT	mm	WEIGHT	$130 \pm 5g$	
REF	156 ± 0.1	REV		