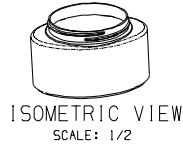
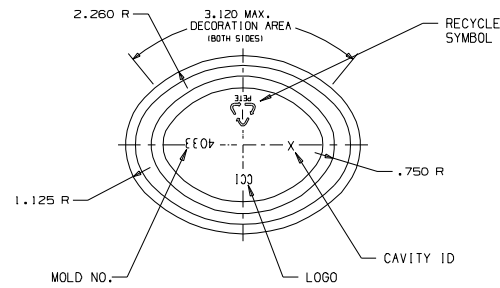
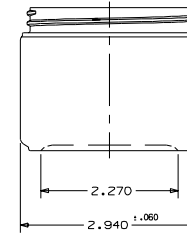
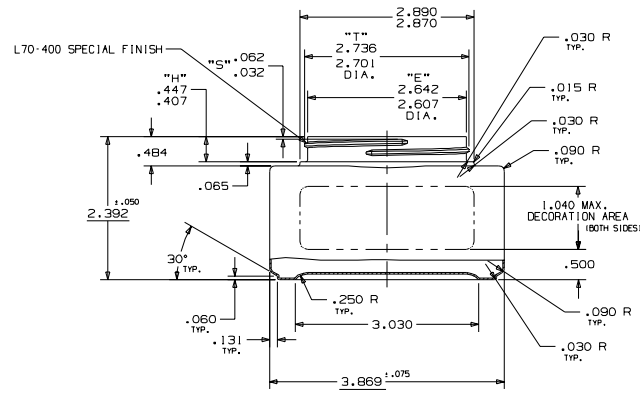
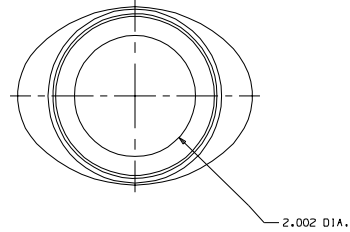


D-00-5223-B



REVISIONS			
LTW	DESCRIPTION	DATE	APPROVED
A	ADDED LABEL DRAWING	10/8/04	JEH
B	WEIGHT WAS 23.5 GRAMS, R.F.P.	12/21/05	JEH



NOTES :
 1) OVERFLOW CAPACITY : 9.92 ± .30 FL.OZ.
 (293.3 ± 9.0 CC'S.)
 2) WEIGHT : 23.4 ± 2.0 GRAMS

DIMENSIONS SHOWN ARE: <input checked="" type="checkbox"/> AS MOLDED <input type="checkbox"/> AFTER TREAT <input type="checkbox"/> AFTER TREAT & OVEN	DRAWN BY KENT	MATERIAL PET	CUSTOMER SILGAN PLASTICS CORP.	
	DATE SAU003	LABEL DWG NO. L-432 (A)	DESCRIPTION 8 FL. OZ. POWELL JAR	
THIS DRAWING HAS BEEN PREPARED BY SILGAN PLASTICS FOR OUR OWN PRODUCTION OF THE ARTICLE SHOWN AND MAY NOT BE COPIED OR UTILIZED BY OTHERS WITHOUT OUR PRIOR WRITTEN CONSENT.	INFQ	REF. DWG. NO. D-00-5028-D	TECHNICAL CENTER 3558 MECA WAY NORCROSS, GA 30093	
	P/LJ TOOL NO. 4001	BLOW TOOL NO. 4033		
	CAD UG	CODE NO. COM-45230	SURF. AREA	DRAWING NO. D-00-5223-B
	SCALE FULL			