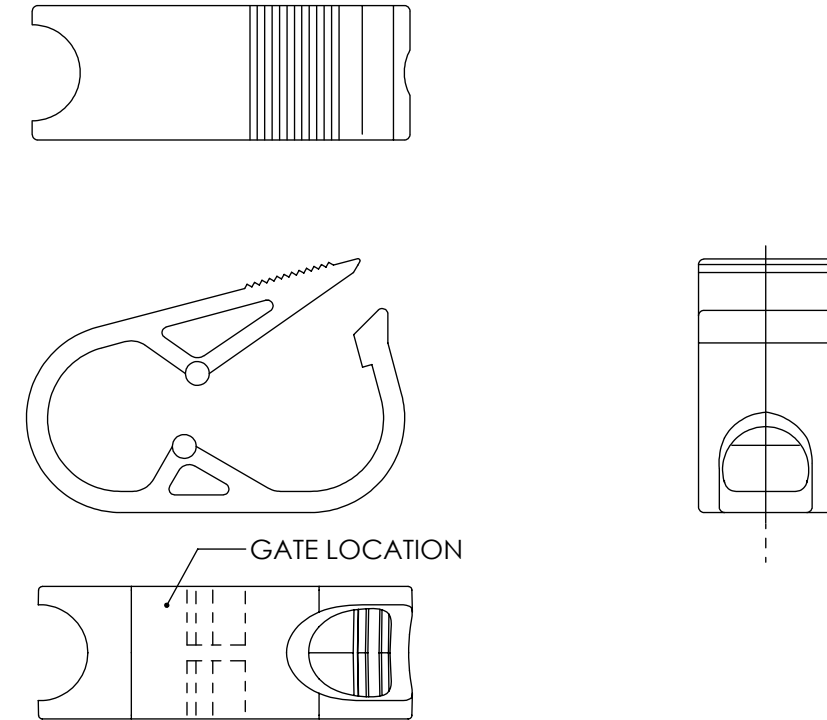
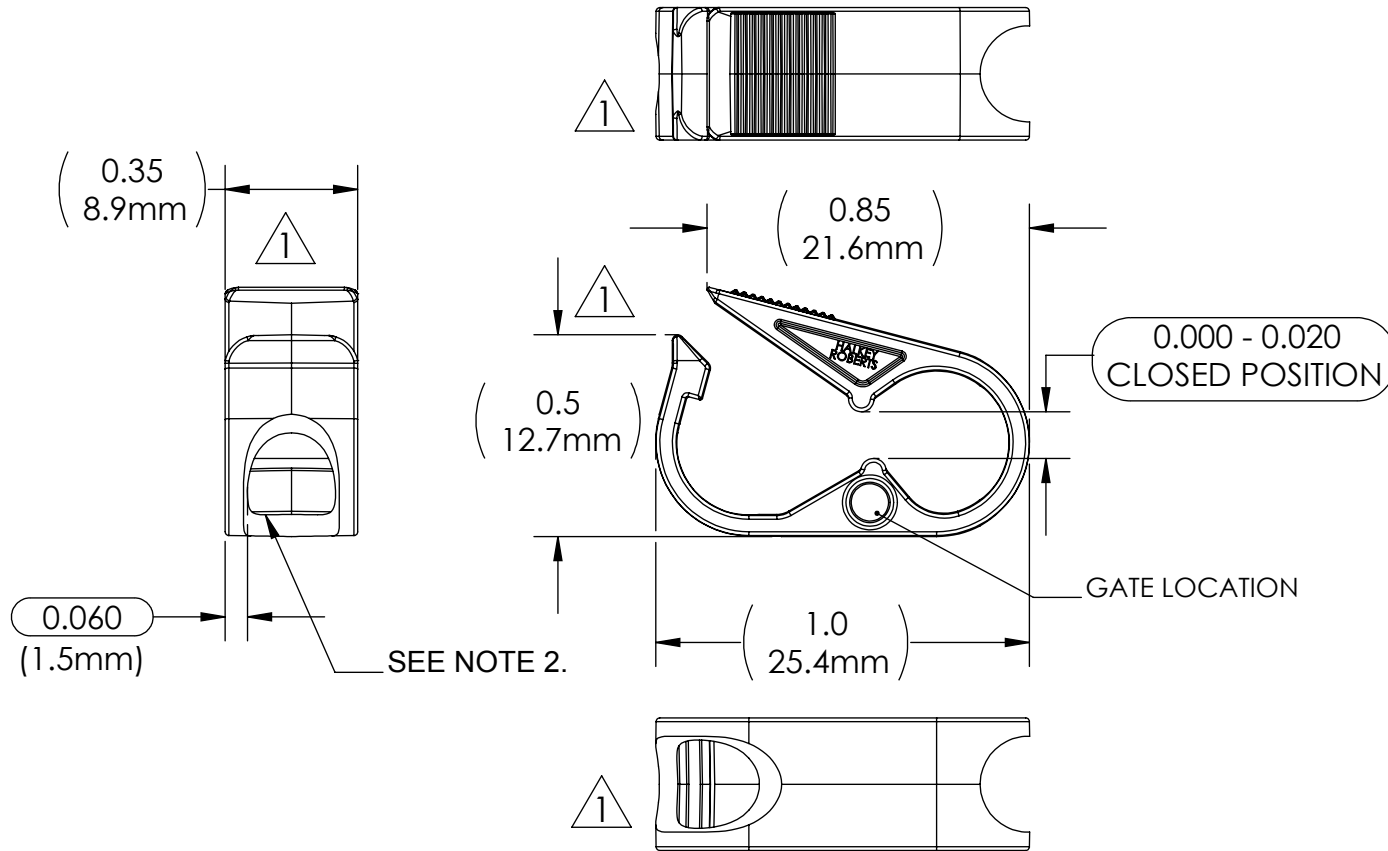


REV	DESCRIPTION (ECO)	DATE	APPROVED
Y	UPDATE SUFFIX OPTION TABLE ECO 6872	3/09/16	AK
Z	ADD SUFFIX G, Y, TO ABS; ECO 7401	03/16/17	AK



NOTES:

- 1 VIEWS SHOWN OF ALTERNATE GATE LOCATION, AND RADIUS CONFIGURATION.
- 2. MAX TUBING DIAMETER ( 0.25" ).
- 3. CRITICAL DIMENSION ARE CIRCLED AND SUBJECT TO INSPECTION.
- 4. DIMENSIONS IN PARENTHESES ARE FOR REFERENCE ONLY.
- 5. ALL DIMENSIONS ARE IN INCHES WITH NOMINAL DIMENSIONS IN MILLIMETERS SHOWN BELOW.
- 6. HR TUBING CLAMPS ARE SINGLE PATIENT USE MEDICAL COMPONENTS INTENDED TO BE INCLUDED AS PART OF THE FINISHED DEVICE, I.E. IV ADMINISTRATION SETS. HR TUBING CLAMPS ARE MANUFACTURED TO HR SPECIFICATIONS, SOLD BULK, NON-STERILE TO OEMS. BECAUSE THE CONFIGURATIONS OF IV TUBING VARY DRAMATICALLY, HR CANNOT MAKE ANY PARTICULAR CLAIMS. CUSTOMERS MUST VALIDATE CLAMPS FOR THEIR INTENDED USE, ENSURING THAT THE CLAMPS EFFECTIVELY OCCLUDE THE INHERENT VARIATION OF THE PARTICULAR TUBING EMPLOYED BY THE CUSTOMER AGAINST THE CLOSED GAP RANGE PROVIDED ON HR'S SPECIFICATIONS. OEM MANUFACTURING PROCESSES (SUCH AS ASSEMBLY PROCESSES, PACKAGING AND STERILIZATION) CAN SIGNIFICANTLY ALTER THE CLAMPS' FUNCTIONALITY; THEREFORE, HR CANNOT GUARANTEE THE PERFORMANCE OF THE FINAL CONFIGURATION.

SUFFIX "X" INDICATES COLOR & MATERIAL:

NO SUFFIX - WHITE B - BLUE R - RED Y - YELLOW BK- BLACK CR- CREAM YL- YELLOW PL - PURPLE BN-BROWN	CELCON
2002W - WHITE 248B - BLUE 248R - RED 248G - GREEN 248Y - YELLOW	ABS

QUALITY CRITERIA

O.D. FLASH 0.015 MAX. ( 0.4mm)
GATE VESTIGE 0.01 MAX. ( 0.3mm)
EMBEDDED PARTICLES, BUBBLES, SPOTS, STAINS: 0.3mm <sup>2</sup> MAX. NO MORE THAN 5 PER PART.

MOLDED PARTS:  
GATES, PARTING LINES, AND FLASH PER QUALITY CRITERIA

PROPRIETARY AND CONFIDENTIAL  
THE INFORMATION CONTAINED IN THIS DRAWING IS SOLE PROPERTY OF HALKEY-ROBERTS CORPORATION, ST. PETERSBURG, FL. ANY REPRODUCTION IN PART OR AS A WHOLE WITHOUT THE WRITTEN PERMISSION OF HALKEY-ROBERTS CORPORATION IS PROHIBITED.

DRAWN BY	M.S.	DATE	
APPROVED BY	J.W.	DATE	07/20/88
MATERIAL			
FINISH			
UNLESS OTHERWISE SPECIFIED: DIMENSIONS ARE IN INCHES TOLERANCES: ANGULAR: ± 1° TWO PLACE DECIMAL ± .01 THREE PLACE DECIMAL ± .005		THIRD ANGLE PROJECTION	

**HR® Halkey-Roberts®**

TITLE	<b>TUBING CLAMP</b>		
SIZE	<b>B</b>	DRAWING NO.	<b>C340TCSX</b>
SCALE	<b>2:1</b>	SHEET	<b>1 OF 2</b>
		REV	<b>Z</b>
		DO NOT SCALE DRAWING	

DRAWING NO.  
**C340TCSX**

REV  
**Z** **Customer Drawing**

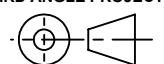
REVISION HISTORY			
REV	DESCRIPTION (ECO)	DATE	APPROVED
Y	UPDATE SUFFIX OPTION TABLE ECO 6872	3/09/16	AK
Z	ADD SUFFIX G, Y, TO ABS; ECO 7401	03/16/17	AK


BILL OF MATERIAL:

CELCON	CELCON M270
ABS	LUSTRAN 348

**MOLDED PARTS:**  
GATES, PARTING LINES, AND FLASH PER QUALITY CRITERIA

**PROPRIETARY AND CONFIDENTIAL**  
THE INFORMATION CONTAINED IN THIS DRAWING IS SOLE PROPERTY OF HALKEY-ROBERTS CORPORATION, ST. PETERSBURG, FL. ANY REPRODUCTION IN PART OR AS A WHOLE WITHOUT THE WRITTEN PERMISSION OF HALKEY-ROBERTS CORPORATION IS PROHIBITED.

<b>DRAWN BY</b>	M.S.	<b>DATE</b>	
<b>APPROVED BY</b>	J.W.	<b>DATE</b>	07/20/88
<b>MATERIAL</b>			
<b>FINISH</b>			
<b>UNLESS OTHERWISE SPECIFIED:</b>	<b>THIRD ANGLE PROJECTION</b>		
DIMENSIONS ARE IN INCHES			
TOLERANCES:			
ANGULAR: ± 1°			
TWO PLACE DECIMAL ± .01		<b>SIZE</b>	<b>B</b>
THREE PLACE DECIMAL ± .005		<b>SCALE</b>	<b>1:1</b>

 **Halkey-Roberts**

**TITILE** **TUBING CLAMP**

**DRAWING NO.** **C340TCSX** **REV** **Z**

**SCALE** **DO NOT SCALE DRAWING** **SHEET** **2 OF 2**