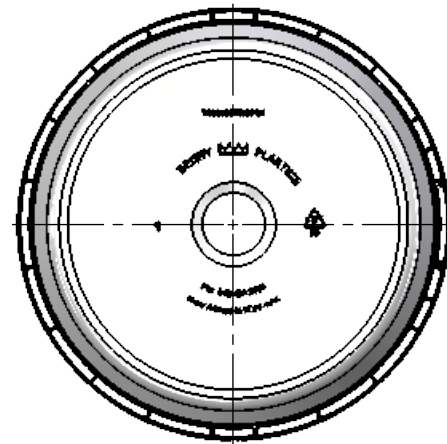
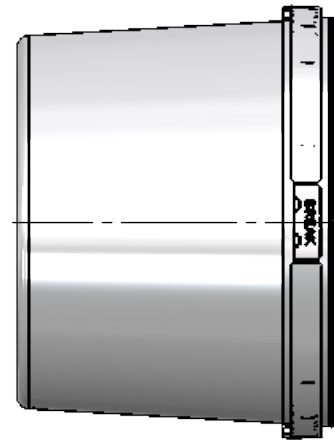


LET	REVISION DESCRIPTION	BY	ECN #	DATE
A	PRINT RELEASE	DK	N/A	10/5/2007

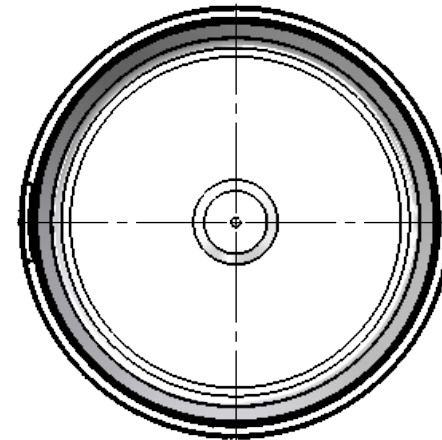
BOTTOM VIEW



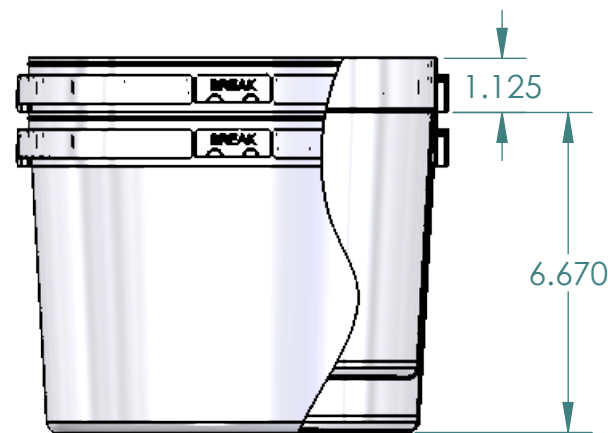
SIDE VIEW



TOP VIEW



STACKING VIEW



6.670



Ø8.987

FRONT VIEW

PART DATA	
MATERIAL	Berry PP Copoly
WEIGHT ±5.0 (GRAMS)	142.0
VOLUME (CUBIC IN)	335.23
OVERFLOW CAPACITY(OZ)	185.7
OVERFLOW CAPACITY(CC)	5493.4



TOLERANCES
UNLESS SPECIFIED
OTHERWISE ARE:

DECIMALS ±.015
FRACTIONS ±1/32
ANGLES ±2°

ALL UNSPECIFIED
RADII & CHAMFERS
TO BE 1/32

BERRY CORPORATE HEADQUARTERS
101 OAKLEY STREET
EVANSVILLE, INDIANA 47706
TEL. (812) 424-2904

CONFIDENTIAL
THIS UNPUBLISHED WORK IS THE PROPERTY OF BERRY PLASTICS CORPORATION AND IS PROTECTED BY TRADE SECRET, COPYRIGHT AND OTHER INTELLECTUAL PROPERTY LAWS AND MAY ALSO BE SUBJECT TO A SPECIFIC OR GENERAL CONFIDENTIALITY AGREEMENT. IT IS NOT TO BE VIEWED BY UNAUTHORIZED PERSONS OR DUPLICATED IN ANY MEDIUM FOR PURPOSES OTHER THAN THOSE FOR WHICH IT IS SPECIFICALLY FURNISHED. IN THE EVENT OF PUBLICATION, THE FOLLOWING NOTICE SHALL APPLY: Copyright 2006 Berry Plastics Corporation

DRAWING TITLE: BASIC PART PRINT				
PD ENGINEER: RAY FALLEN	PROJECT NAME: T808166TRCPB1			
DRAWN BY: DARIN KOESTRING	PROJECT SERIAL #: JM-2492-1	PD DRAWING #: P-07-77		
COMPLETION DATE: 10/05/07	REVISION LEVEL: A	SCALE: 1:4	SHEET SIZE: B	PRINTED DATE: 5/4/2018
THIRD ANGLE PROJECTION	DRAWING FILE NAME: CP-180324			SHEET: 1 OF 1