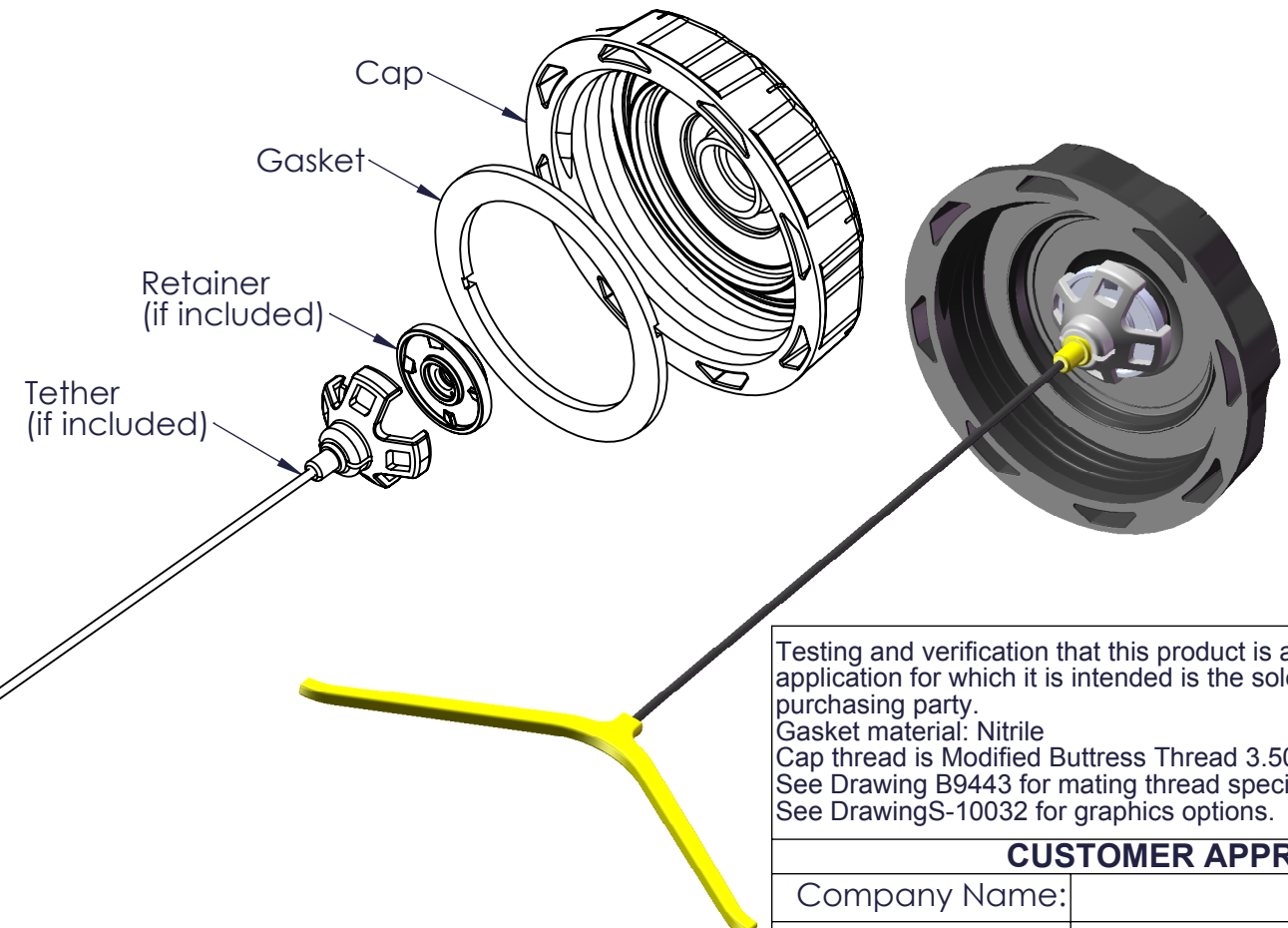


Part Number	Description	Retainer	Tether
NOTES: Rev level of cap assembly is controlled by Part Number Partmas Revision is "Rel".			
080074AE	Thread Vent, Molded DFO, Nylon 6/6, YLW	No	No
080076AE	Thread Vent, Molded UGO, Nylon 6/6, BLK	No	No
080081AE	Thread Vent, 8" THR, Molded DFO, Nylon 6/6, YLW	Yes	8"
080083AE	Thread Vent, 8" THR, Molded UGO, Nylon 6/6, BLK	Yes	8"
080093AE	Thread Vent, 8" THR, Printed DFO (BLK), Nylon 6/6, YLW	Yes	8"
080097AE	Thread Vent, Nylon 6/6, BLK	No	No
080092AE	Thread Vent, 8" THR, No Graphics, Nylon 6/6, BLK	Yes	8"
080121AE	Thread Vent, 8" THR, Printed WFO (WHT), Nylon 6/6, BLK	Yes	8"
080134AE	Thread Vent, Nylon 6/6, BLK, 6-Vent Gasket	Yes	8"



Testing and verification that this product is appropriate for the application for which it is intended is the sole responsibility of the purchasing party.
 Gasket material: Nitrile
 Cap thread is Modified Buttress Thread 3.50" - 5 TPI
 See Drawing B9443 for mating thread specifications.
 See Drawing S-10032 for graphics options.

CUSTOMER APPROVAL

Company Name: _____

Approved By: _____

Date: _____

Part Number: _____

REV.	DESCRIPTION	DATE	BY	APR
D	Added 080093AE	10-3-10	RDL	DJH
C	Added 080134AE	6-25-10	RDL	JWC
B	Added 080121AE	9-14-09	RDL	DS
A	Released for Production	6-20-08	RDL	DJH
REVISIONS				

PROPRIETARY AND CONFIDENTIAL
 THE INFORMATION CONTAINED IN THIS DRAWING IS THE SOLE PROPERTY OF FLAMBEAU, INC. ANY REPRODUCTION IN PART OR AS A WHOLE WITHOUT THE WRITTEN PERMISSION OF FLAMBEAU, INC. IS PROHIBITED.

DIMENSIONS ARE IN INCHES
 TOLERANCES:
 FRACTIONAL ±1/64"
 ANGULAR: MACH ±.5 BEND ±
 TWO PLACE DECIMAL ±.010"
 THREE PLACE DECIMAL ±.005"
 FOUR PLACE DECIMAL ±.001"

SHT 1 OF 1

FLAMBEAU INC.
 911 LYNN AVENUE BARABOO, WI 53913 PH. (608) 356-5551

Scale: None W.O. No: - - - Drawn By: RDL Date: 6-19-08
 Mold No: NA FPN: **See Table** Chk'd By: Date:
 Mat'l: NA Shrink: NA Chd'd By: Date:

Description:
3.50" Thread-Vented Cap Assemblies

Customer: **Flambeau Fluid Systems** Drawing #: **S-10070**