

# SSPFBV SERIES - 304 STAINLESS STEEL PUSH-FIT BALL VALVE

## APPLICATIONS:

- Designed for use on copper, CPVC, PEX, PE-RT & HDPE piping in plumbing and hydronic heating systems.
- Approved for use in both underground and behind the wall applications. Fittings must be properly wrapped to prevent corrosion in underground applications.\*

\*It is recommended that a continuous length of PEX pipe without any fittings/connections be used for below ground or a cement slab installation. Best practice is to have the termination fittings on each end of PEX above ground. When direct burial of a fitting cannot be avoided, the fitting must be properly wrapped with a silicone wrap to avoid corrosion due to aggressive soil conditions. Failure to properly wrap the fitting will void the manufacturers warranty.

## FEATURES:

- Eliminates the need for soldering, crimping, or solvent welding.
- Ideal for wet, hazardous, and dry repairs in hard to access locations or where open flame for soldering could be a fire hazard.
- Plastic disconnect clip is used to release the gripper ring, making for an easy disconnection.
- Each valve comes complete with an integral polysulfone tube stiffener, required for use with PEX, PE-RT & HDPE piping.

## SPECIFICATIONS:

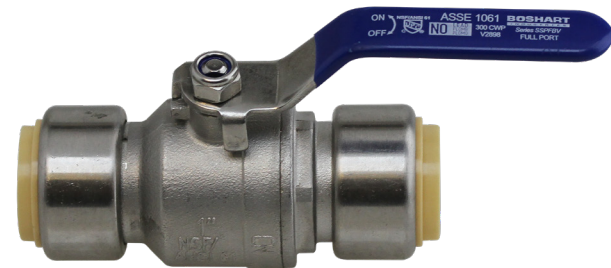
- For CTS (Copper Tube Size) outer diameter size: 1/2" (0.625"), 3/4" (0.875"), and 1" (1.125").
- Full port

## CERTIFICATIONS:

- cUPC (Canadian Uniform Plumbing Code) listed
- IAPMO/ANSI Certified to Standard Z1157 (Standard Guidelines for Ball Valves)
- NSF/ANSI Standard 61 Certified (Drinking Water System Components - Health Effects)
- NSF/ANSI Standard 372 Certified (Drinking Water System Components - Lead Content - Stainless Steel alloys do not contain any lead 0.00% Pb)

## RATINGS:

- Pressure Rating Max 300 PSI CWP (2068 kPa) at 100°F (37.8°C); 200 PSI (1379 kPa) at 200°F (93°C)
- CWP - Cold Working Pressure, is an indication of the pressure rating for valves at a temperature range of up to +100 °F (37 °C)
- Temperature Range 33.8°F (1°C) to 200°F (93°C)



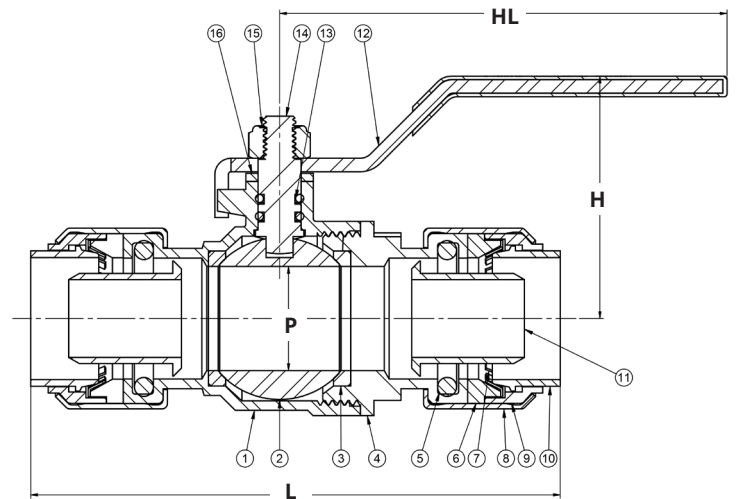
**BOSHART**  
**INDUSTRIES**

25 Whaley Avenue, PO Box 310, Milverton, ON CANADA N0K 1M0  
Tel: 800-561-3164

[boshart.com](http://boshart.com) ♦ [blog.boshart.com](http://blog.boshart.com)

MATERIAL LIST			
Part No.	Part Name	Qty.	Material
1	Valve Body	1	304 Stainless Steel
2	Ball	1	304 Stainless Steel
3	Ball Seat	2	Polytetrafluoroethylene (PTFE)
4	End Cap	1	304 Stainless Steel
5	O-Ring	2	Ethylene Propylene Diene Terpolymer (EPDM)
6	Grip Ring Support	2	Polyoxymethylene (POM)
7	Grip Ring	2	301 Stainless Steel
8	Sleeve	2	304 Stainless Steel
9	Support Sleeve	2	POM
10	Release Collar	2	POM
11	Stiffener	2	Polysulfone
12	Handle	1	304 Stainless Steel with PVC Coating
13	Stem O-Ring	2	Nitrile Butadiene Rubber (NBR)
14	Stem	1	304 Stainless Steel
15	Hex Lock Nut	1	304 Stainless Steel
16	Handle Seat	1	PTFE

MATERIAL LIST	
Element Name	Percent of Composition
304 Stainless Steel	
Iron (Fe)	64.0-72.0
Carbon (C)	0.08 max
Silicone (Si)	1.00 max
Manganese (Mn)	2.00 max
Phosphorus (P)	0.05 max
Sulfur (S)	0.04 max
Chromium (Cr)	18.0-20.0
Nickel (Ni)	8.0-11.0



DIMENSIONS											
Part No.	Size	L		H		HL		P		Weight	
		in	mm	in	mm	in	mm	in	mm	lb	grams
SSPFBV-05	1/2"	3.31	84.2	1.65	41.9	3.28	83.2	0.56	14.2	0.43	193.2
SSPFBV-07	3/4"	3.87	98.2	1.77	44.9	3.28	83.2	0.76	19.3	0.65	295.6
SSPFBV-10	1"	4.39	111.5	2.11	53.6	4.17	106.0	0.98	25.0	1.22	555.2

**BOSHART**  
INDUSTRIES

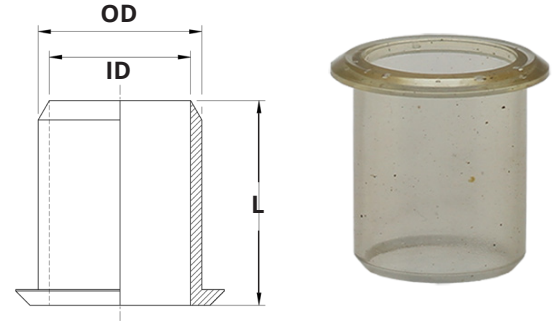
25 Whaley Avenue, PO Box 310, Milverton, ON CANADA N0K 1M0  
Tel: 800-561-3164

[boshart.com](http://boshart.com) ♦ [blog.boshart.com](http://blog.boshart.com)

# SSPFBV SERIES - REPLACEMENT PARTS

## PF-S SERIES - STIFFENER

Part No.	Nominal Pipe Size (CTS)	OD		ID		L		Weight	
		in	mm	in	mm	in	mm	lbs	grams
PF-S05	1/2"	0.46	11.7	0.38	9.65	0.82	20.8	0.002	0.907
PF-S07	3/4"	0.66	16.8	0.57	14.5	0.82	20.8	0.003	1.360
PF-S10	1"	0.85	21.6	0.77	19.6	0.82	20.8	0.005	2.268



## RPSSPFBV SERIES - HANDLE WITH LOCKNUT

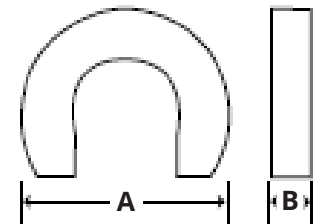
Part No.	Description	Lock Nut Thread
RPSSPFBV-H1V2898	Fits 1/2 and 3/4" ball valves	M6 x 1
RPSSPFBV-H2V2898	Fits 1" ball valves	M8 x 1.25



# SSPFBV SERIES - TOOLS

## PF-DC SERIES - DISCONNECT CLIP

Part No.	Nominal Pipe Size (CTS)	A		B		Weight	
		in	mm	in	mm	lb	grams
PF-DC05	1/2"	1.21	30.7	0.31	7.87	0.01	4.54
PF-DC07	3/4"	1.69	42.9	0.37	9.40	0.01	4.54
PF-DC10	1"	1.95	49.5	0.41	10.4	0.02	9.07



For more information on installation, adjustment, repair & operation, visit Boshart Knowledge Base at

[SUPPORT.BOSHART.COM](http://SUPPORT.BOSHART.COM)



**BOSHART**  
INDUSTRIES

25 Whaley Avenue, PO Box 310, Milverton, ON CANADA N0K 1M0  
Tel: 800-561-3164

[boshart.com](http://boshart.com) ♦ [blog.boshart.com](http://blog.boshart.com)