

IMPORTANT NOTE: For the most up-to-date version of this manual, please visit www.h2flow.net/product-literature

ACUFLOW™ *digital* FLOW METER

Operating Manual

North American version (English)



SECTION

1	Description	3
2	Compatibility	3
3	Safety Information	3
4	What's included.....	4
5	Dimensions.....	5
6	Pre-Installation	5
7	Installation	6
8	Wiring.....	9
9	Output.....	10
10	Programming.....	11
11	Operation	12
12	Advanced Setup	12
13	Auxiliary Relay	15
14	Display Features	16
15	Troubleshooting.....	17
16	Environmental.....	19
17	Standards & Approvals.....	19
18	NSF 50 Accuracy Certification.....	20
19	Specifications.....	21
20	Warranty	22
21	Notes.....	back cover

1. description

Even with the ability to install AcuFlow in tight spaces and with almost zero straight pipe requirements, it can sometimes be difficult to install the device in a location that makes it easy to read. AcuFlow Digital solves this problem by allowing you to install a Digital readout in a user-accessible location. With the digital upgrade, users will also experience even greater functionality, ease of use, and precision. Unique features such flow rate alarms and the ability to interface with external equipment further enhance the industry's most respected flow meter.

AcuFlow Digital employs a patented electronic design to accurately measure and display the flow rate in both a numeric value as well as in a bar-graph format. The remote digital display is available as a stand-alone PLC for mounting in an existing cabinet door, or as a PLC housed in an optional NEMA 4X corrosion proof enclosure.

In addition to greater installation flexibility, the Digital upgrade will also eliminate the possibility of experiencing a parallax error issue when reading the standard AcuFlow.

Note: Parallax error can be caused by not looking at the AcuFlow scale squarely – akin to a passenger in a car looking at the speedometer and seeing a different reading to the driver. Additional details relating to this, can be found in the AcuFlow Operating Manual.

Using the 'Advanced Setup' features, AcuFlow Digital can be interfaced with other systems such as heaters, chemical feeders and UV units, so that they will only operate above a user-defined flow rate. When using this option, it will be necessary to include the Auxiliary Interface Unit with your purchase.

AcuFlow Digital also includes a 4-20 mA output that can be interfaced to Variable Frequency Drives, such as the Emotron FDU or VS10/30 (available from H2flow Controls) in order to achieve constant flow control.

 **IMPORTANT INSTALLATION NOTE**  Installers should read the section 'Advanced Setup' prior to installation. This section details the need for a Windows-PC with internet connection to complete an advanced setup.

2. compatibility

AcuFlow Digital is designed to be included (as an option) with any new AcuFlow installation. Alternatively, it can be retrofitted to an existing AcuFlow – regardless of the size or model. For retrofit installations however, it is important to take careful note of sections 6.1 and 6.2 of this manual.

3. safety information

ALL CONNECTIONS MUST BE MADE BY A QUALIFIED ELECTRICIAN. ELECTRIC SHOCK CAN CAUSE SERIOUS INJURY OR EVEN DEATH.

- a) **Electrical:** AcuFlow Digital utilizes a 100-240VAC to 12VDC power supply that needs to be plugged into a standard receptacle. The power supply cord should be firmly inserted into the receptacle, and a plug restraining clamp should be added, if any of the AcuFlow Digital's outputs are being interfaced to other equipment such as VFD's, Heaters, Chemical Feeders or any safety related equipment.
- b) **Mechanical:** The AcuFlow Digital sensor housing should only be secured to the AcuFlow lid using the two extra long 1" (25mm) stainless steel Phillips head screws provided.

4. what's included

AcuFlow Digital model AF-D / AF-D-PM includes:



Fig 1.0 100-240VAC to 12VDC Power Supply (with interchangeable international adapters for export markets)



Fig 1.1 NEMA 4X enclosure with pre-mounted Display (AF-D) or standalone LCD for existing cabinet mount (AF-D-PM)



Fig 1.2 Sensor with standard cable



Fig 1.3 x2 extended length lid screws



Fig 1.4 For 1.5" (DN40), 2" (DN50), 2.5" (DN65) AcuFlow models: New flapper with attached indicator arm and magnet



Fig 1.5 Type A to Type B cable

Optional equipment and accessories not included as standard with AF-D / AF-D-PM:



Fig 1.6 Optional, 8M (26.25ft.) extension cable

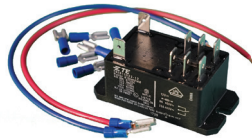


Fig 1.7 Optional Auxiliary Interface Unit



Fig 1.8 Optional, AcuFlow unit. Required for use with all 'new' Digital installations. Sold separately

5. dimensions

For product dimensions, please refer to the images below (Figs. 1.9 & 2.0). *Cable glands supplied with model AF-D; not pictured below. Images shown are of same sized FlowVis Digital.

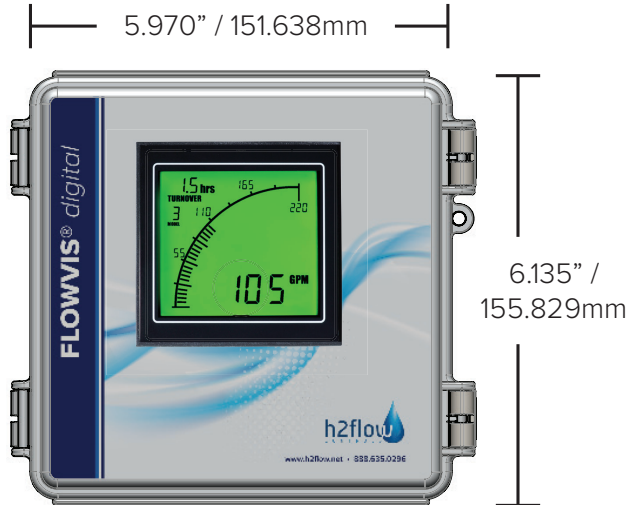


Fig 1.9

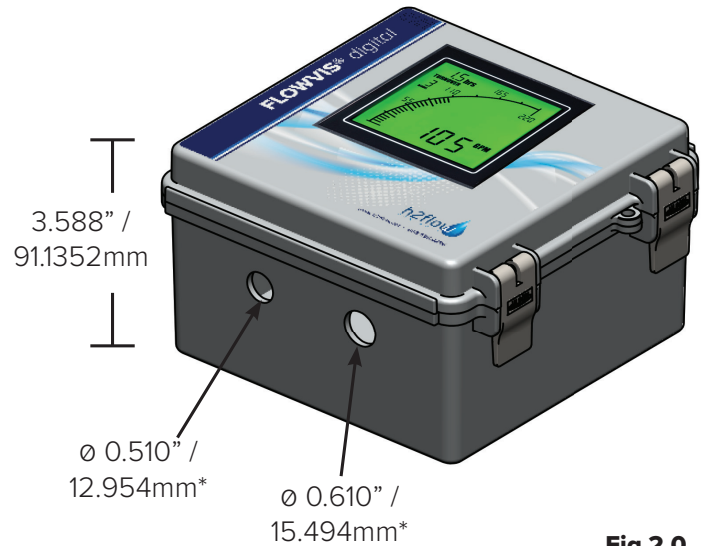


Fig 2.0



Fig 2.1

6. pre-installation

This section only applies to AcuFlow models that are 2.5" and below OR, AF-3 and AF-4 that were provided prior to November 2020. This section covers two scenarios for installing the AcuFlow Digital system:

- Install AcuFlow Digital to a new OR existing AcuFlow unit for 1.5"/DN40, 2"/DN50, or 2.5"/DN65 pipe. If this section applies to you, please refer to Installation section 6.1 before proceeding to Installation section 6.3.
- Install AcuFlow Digital to a 3"/DN80 or 4"/DN100 AcuFlow that was manufactured before January 2021. If this section applies to you, please refer to Installation section 6.2 before proceeding to Installation section 6.3. If your AcuFlow 3"/DN80 or 4"/DN100 was manufactured after January 2021, please proceed directly to Installation section 6.3.

Note: To confirm the manufacturing date of your AF-3 (DN80) or AF-4 (DN100), look at the 2-digit code on the side of the AcuFlow lid and confirm that it is equal to or greater (later) than HT18. For example HT18 is greater (later) than HT17. If the code on your AcuFlow lid is less than (before) HT18, a new, compatible lid assembly will be required. Please contact H2flow for assistance in determining the appropriate lid assembly for your installation.

7. installation

6.1. Replacing the flapper & indicator assembly in 1.5" (DN40), 2" (DN50) and 2.5" (DN65) installations

For the AcuFlow Digital (AF-D) to function on AcuFlow models AF-15, AF-C-M-DN40, AF-2, AF-C-M-DN50, AF-25, and AF-C-M-DN65, it will be necessary to replace the Flapper and its attached red indicator with the one provided in the AF-D packing box (see Fig.1.4 on page 4) - regardless of whether the AcuFlow unit itself is new or already installed. This is a simple procedure that will take less than 2 minutes; however, it is important to reassemble the unit exactly as shown below.

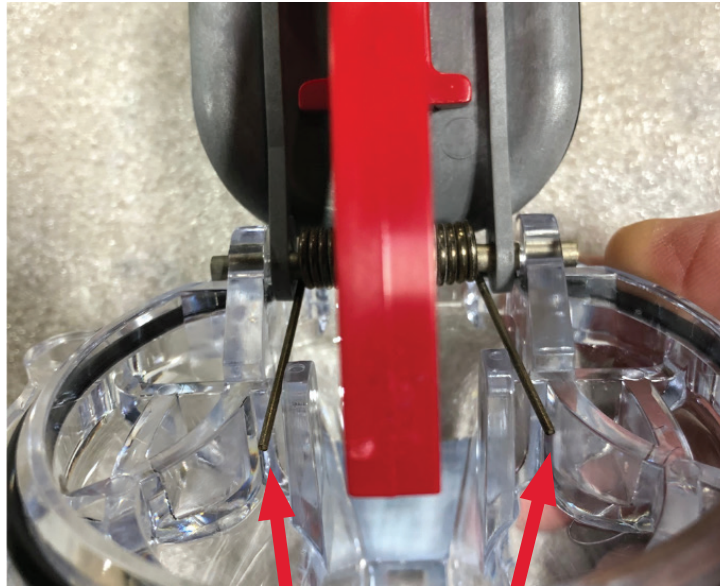


Fig 2.2

Spring legs location tabs

Procedure:

1. Release each of the two spring legs from the location tabs - this will remove the tension from the spring. See Fig.2.1 above.
2. Slide the Hasteloy pivot pin to completely remove it from the lid.
3. Discard the existing gray Flapper with its attached red indicator.
4. Pay attention to the orientation of the spring when reassembling the unit.
5. Install the new Flapper and Indicator following a reversal of the disassembly procedure. Note, you may find it easier to place the spring's legs over their location tabs before sliding the pin.
6. Proceed to Section 6.3 to complete the installation of AcuFlow Digital.

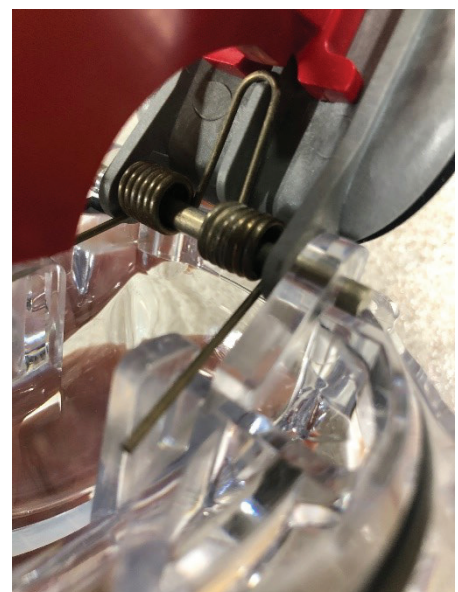


Fig 2.3

6.2. Installing AcuFlow Digital to an existing (pre- January 2021) 3”(DN80) or 4” (DN100) AcuFlow

1. Remove the screws from the existing lid of the AcuFlow unit and remove the lid assembly.
2. It is not uncommon for the AcuFlow lid to be retained by a vacuum suction after the 8 screws have been removed. **Under no circumstances should you try to leverage the lid off with a screwdriver or similar device.** Instead, momentarily open a valve that is either upstream or downstream to release the vacuum.
3. Ensure that the new lid assembly has a code on the side of the lid that is equal to or greater than HT16. For example HT16 is greater (later) than HT15.
4. Ensure that the o-ring on the underside of the new lid assembly is undamaged, lubricated with silicone (such as Boss 820), and is in-place without twists.
5. Carefully lower the lid onto the Tee, making sure that the o-ring stays in place. Also make sure that its orientation is correct; the top of the AcuFlow scale should be toward the direction of flow.
6. Referring to Fig.2.4 (right), identify the required side of the AcuFlow to mount the AcuFlow sensor to, ensuring that the sensor is fully seated and the screw holes line-up with those on the AcuFlow lid assembly.
7. Place 6 of the 8 AcuFlow screws in the lid assembly, and use the 2 longer screws provided with your AcuFlow Digital (Fig.1.3 on page 4) in the holes for the sensor. Do not tighten.
8. Using a hand Phillips-head screwdriver, slowly tighten the screws in a diagonal pattern, per the diagonal sequence shown in Fig.2.5. Do not fully tighten one screw before proceeding to the next, i.e., pull them down slowly multiple times to avoid stressing and cracking the lid. Screws should be tightened to a final torque of 25 in./lbs. or 2.8 Nm. **Disclaimer: Under no circumstances should the screws in the AcuFlow lid assembly or sensor be tightened with an electric screwdriver in the ‘drill’ setting. This can result in a cracked lid or sensor and will void the product warranty.**
9. Proceed to section 6.3 to complete the installation of your AcuFlow Digital.

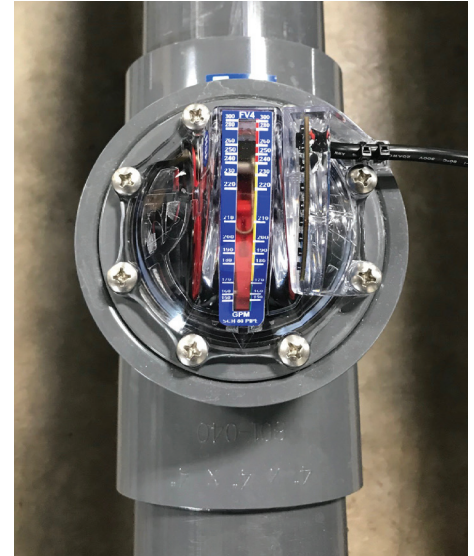


Fig 2.4

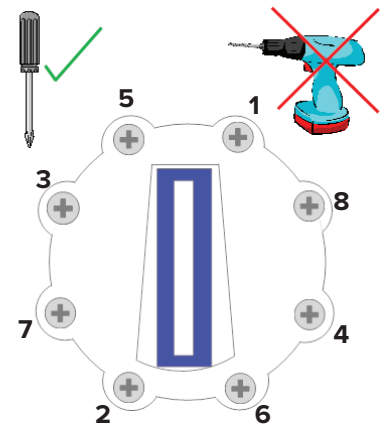


Fig 2.5

6.3 Installing AcuFlow Digital to a new or existing (post- January 2021) AcuFlow

PLEASE NOTE: If you are installing AcuFlow Digital to either, a) an existing AF-15(DN40), AF-2(DN50), or AF-25(DN65), please refer to section 6.1, or b) an AF-3(DN80 or AF-4(DN-100) that was manufactured before January 2021, please refer to section 6.2 of this manual before proceeding with section 6.3.

1. Check the contents of your AcuFlow Digital box to ensure that they comply with the components shown on page 4 of this document
2. Unless previously done in section 6.2, remove the two AcuFlow lid screws that will align with the hole mounting tabs for the sensor (refer to Fig.2.4 on pg. 7).
3. Mount the sensor, ensuring that it is fully seated and the screw holes line-up with those on the AcuFlow lid assembly (see Fig.2.4).
4. Place the 2 extended screws provided with your AcuFlow Digital (Fig.1.3 on page 4) in the holes for the sensor and using a hand Phillips-head screwdriver, slowly tighten the screws. Do not fully tighten either screw before proceeding to the next, i.e., pull them down slowly, multiple times to avoid stressing and cracking the sensor. Screws should be tightened to a final torque of 25 in./lbs. or 2.8 Nm. **Disclaimer: Under no circumstances should the screws in the AcuFlow lid assembly or sensor be tightened with an electric screwdriver in the 'drill' setting. This can result in a cracked lid or sensor, and will invalidate the product warranty.**
5. Mount the AcuFlow Digital display in a location that is: a) convenient for viewing, b) close enough to the AcuFlow flow meter for the sensor cable length (including any extension cables you may have purchased), and c) close enough to a 100-240VAC receptacle to allow the power supply to connect. **Note:** The power supply output (12VDC) cable has a total length of 10 feet / 3M, but can be extended up to a total length of 24 feet / 8M. It is essential that its polarity is maintained. Good electrical practices should be used when extending this cable.
6. Connect the Power Supply low voltage (12VDC) output to the Display (see wiring diagrams on pages 9 & 10).
7. Connect the Sensor to the display using either the standard-length cables provided or the extension cable (if purchased).
8. **Disclaimer: The sensor-to-display cables MUST NOT be cut or spliced in any way. Doing so will invalidate the AcuFlow Digital product warranty. If these cables are longer than needed, we suggest coiling the excess cable and tying with a zip-tie.**
9. Plug in the Power Supply and ensure that the Digital display illuminates and the blue light on the sensor is on (not flashing). If the blue light is flashing, please refer to section 6.4.
10. If being used, connect 4-20 mA output to external equipment such as a VFD (see Fig.2.8).
11. If being used, connect the alarm relay (see Fig.3.0).
12. Proceed to the Programming section.

6.4. Sensor/blue light is flashing

A blue LED is visible when looking at the sensor. A flashing blue LED indicates that the AcuFlow does not have a magnet installed. All AcuFlow models that are 3" (DN80) and larger that were manufactured after January 2021 had this magnet installed. If your application involves a unit that is ≥ 3 " (DN80), and the sensor light is flashing, it is apparent that your AcuFlow unit was manufactured before this date. Please contact H2flow to find a solution. If your AcuFlow model is for a 2.5" (DN65) or smaller, and the blue sensor light is flashing, please install the replacement flapper/indicator that was included in the AcuFlow Digital shipping box (see section 6.1 of this document).

8. wiring

Power Supply Wiring

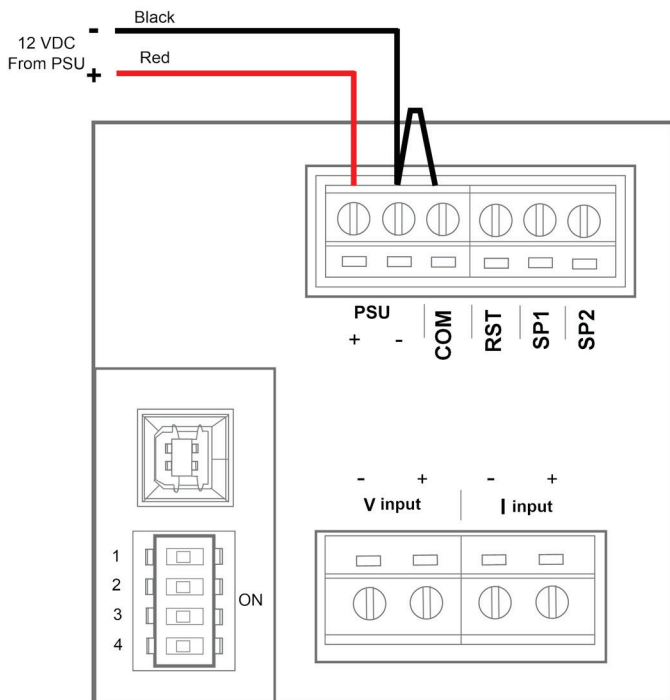


Fig 2.6

Sensor Wiring

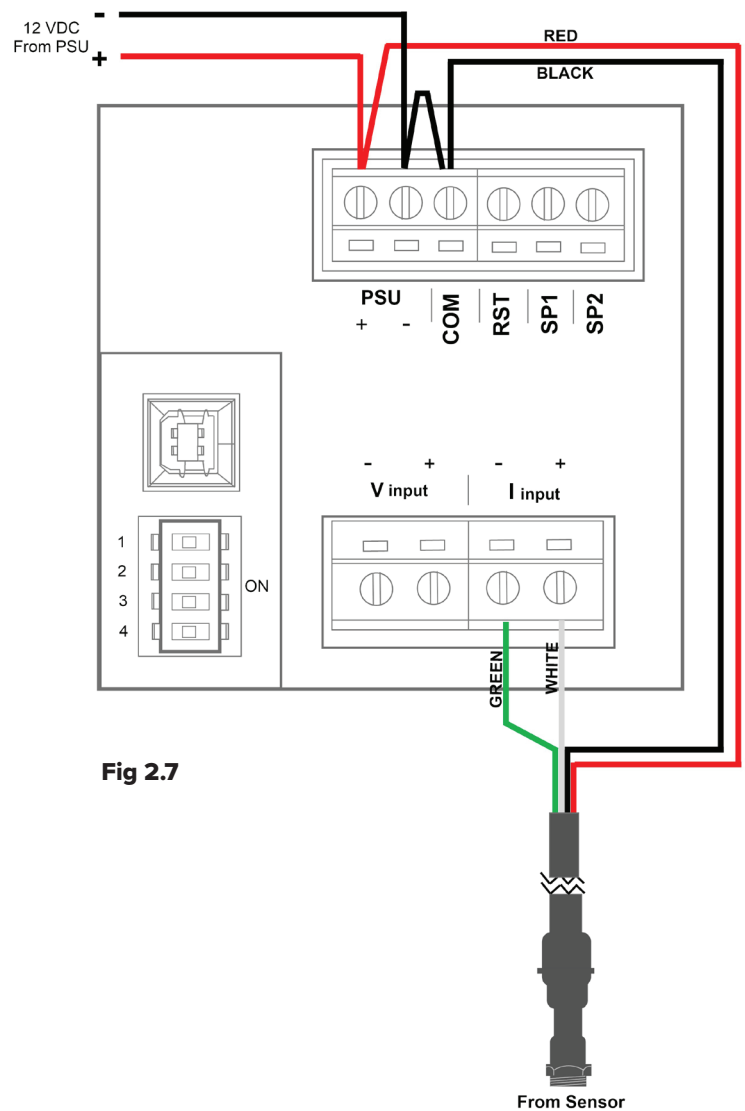


Fig 2.7

4-20 mA Wiring

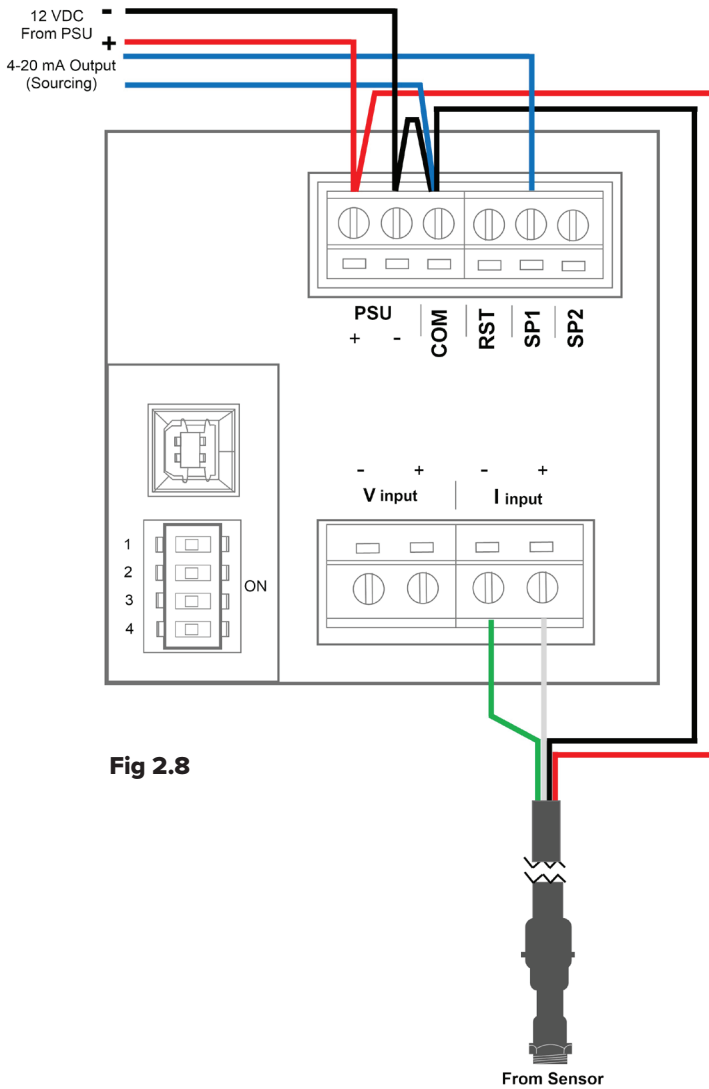


Fig 2.8

Auxiliary Relay External Equipment Connection

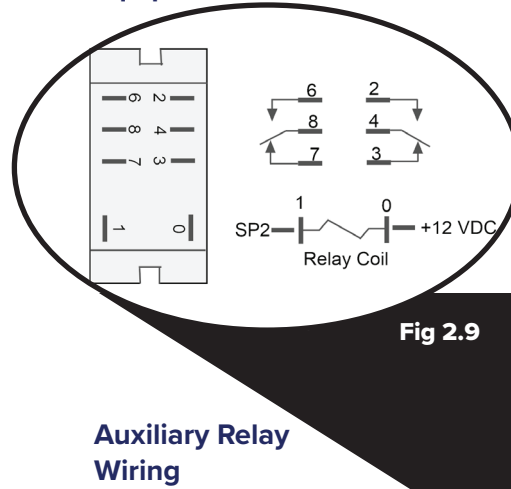


Fig 2.9

Auxiliary Relay Wiring

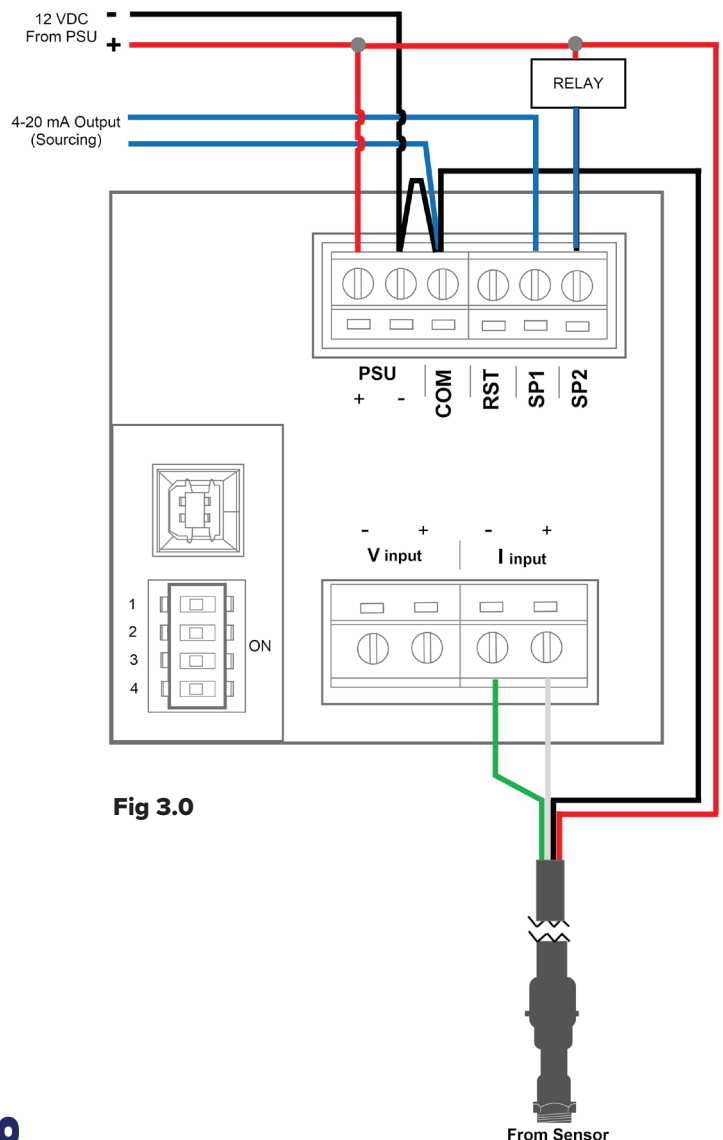


Fig 3.0

10. programming

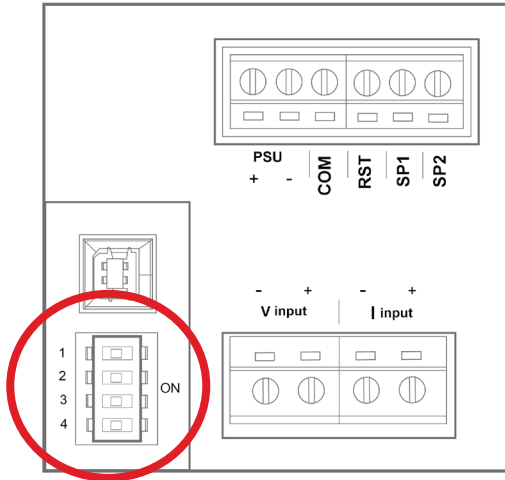


Fig 3.1

To proceed with programming, first locate the DIP switches on the back side of the Digital display. Refer to the circled area in Fig.3.1.

Important Note: It is important to select the correct DIP switch position based on **BOTH** the model (first column) and the pipe size (second column) shown in the table below as multiple AcuFlow models exist for the same pipe diameter.

AcuFlow Model	Pipe Size	DIP Switch Position			
		1	2	3	4
AF-2; AF-M-DN50	2" and DN50	ON	OFF	OFF	OFF
AF-C-S	2"	ON	ON	OFF	OFF
AF-25; AF-M-DN65	2.5" and DN65	ON	ON	ON	OFF
AF-3; AF-M-DN80	3" and DN80	OFF	OFF	ON	OFF
AF-4; AF-M-DN100	4" and DN100	OFF	OFF	OFF	ON
AF-6; AF-M-DN150	6" and DN150	OFF	ON	OFF	ON
AF-8; AF-M-DN200	8" and DN200	OFF	ON	ON	OFF
AF-15; AF-M-DN40	1.5" and DN40	OFF	ON	ON	ON
AF-15-U	1.5"	ON	ON	OFF	ON
AF-2-U	2"	OFF	OFF	ON	ON

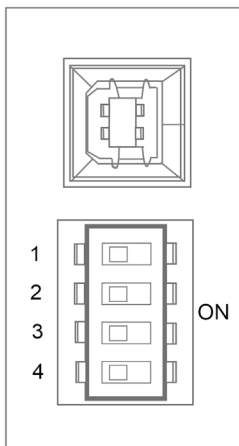


Fig 3.2 (left) The default setting for the DIP switches (all switches set to the OFF position).

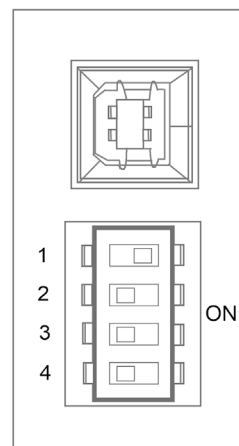


Fig 3.3 (left) DIP switch number 1 set to the ON position.

11. operation

After setting the DIP Switches to reflect the AcuFlow model and Pipe Size employed in your application, the AcuFlow Digital is ready to use. No calibration or further settings are required. However, by default, the AcuFlow Digital readout will display the flow rate in US GPM and the Turnover Rate will show --- (indicating that this function is not activated). If you would like to change the unit of measurement from US GPM to either LPM or M³/hr, and / or activate the Turnover Rate function, then it will be necessary to access these functions as described in the Advanced Setup section.

12. advanced setup

Although AcuFlow Digital will function as a flow meter without additional steps, there are several very useful features that can be accessed via the 'advanced setup' procedures. These features comprise:

- Display of a turnover rate
- Changing the display's appearance at a user-defined flow rate
- Programming an (optional) auxiliary relay to operate external equipment such as a Heater or Chemical Feed System, which will only operate at user defined flow rates

Programming the advanced features will require a Windows-based laptop PC. The initial step is to download the Advanced Panel Display Software from the internet, we recommend that this be done in an office environment rather than at the installation location. Note: there is no requirement to connect the laptop to the Display during this initial step.

The laptop PC will require the following:

- Running either a Windows 7, 8, or 10 operating system, using either a 32 or 64-bit configuration
- Microsoft .NET Framework (if you don't have this, it can be downloaded from www.microsoft.com/net)
- A spare USB 2.0 port (for later connection to the Display)
- An internet connection

Step 1 - Download and install the 'Advanced Panel Display' Configurator Software:

Launch an internet browser page and go to www.h2flow.net/acuflow-flow-meter and locate the 'Configurator Download' section.

Click on the 'Configurator Download' button. When the Configurator has finished downloading, open the file, either from your Downloads folder, or from the bar at the bottom of your browser. Follow the prompts provided by the Setup Wizard and when asked, click on 'Save As'. Save the file to your preferred location. The default file name will be 'APM Configurator'.

After downloading the file, double-click on the icon labelled 'APM Configurator'. You should then see an image on your desktop which resembles Fig 3.4 (right).

Click on the 'Updates' tab and make sure that the 'Automatic Updates' option is checked. If 'Automatic Updates' was un-checked, please check this, and then close the program and re-launch. If new updates are available, they will be automatically downloaded and saved to your PC.

The Configurator program has now been successfully installed and your laptop is ready to connect to the AcuFlow Display.

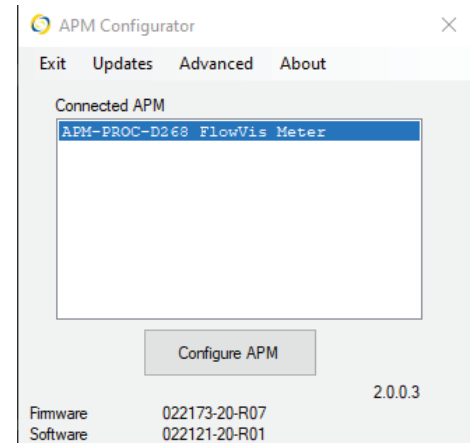


Fig 3.4

Step 2 - Programming the advanced features of the AcuFlow Digital Display

With the Configurator program still open, connect the Display to your PC using the Type A to Type B cable that was delivered with your AcuFlow Digital (Fig 1.5).

The AcuFlow Digital screen should display the text 'US.b', and the Configurator should now look like Fig.3.5, below. Click on the 'Configure APM' button.

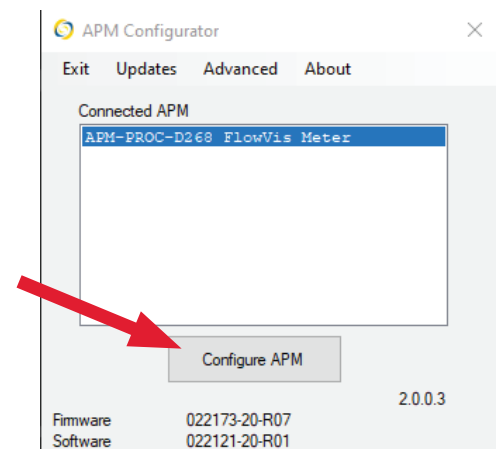


Fig 3.5

You should now see a screen that looks like the one below (Fig. 3.6):

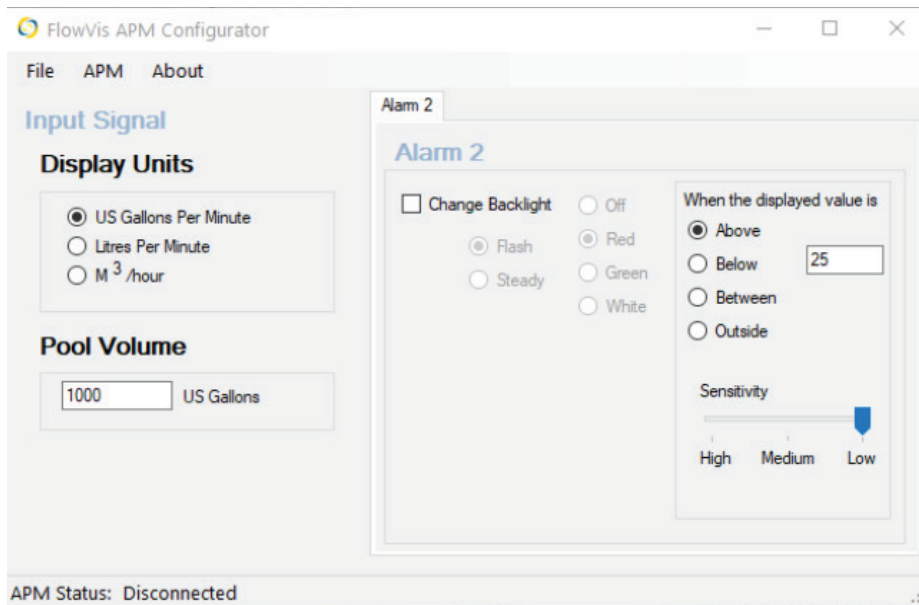


Fig 3.6

In this screen, you can program:

- The unit of measurement in either US GPM (default), LPM, or M³/h
- If being installed to a swimming pool or tank application, then the turnover rate by inserting the volume

Please do not change any other values.

'Alarm 2' has been designated to the Digital (Open Collector) output that can be connected to control the optional Auxiliary Relay kit discussed in section 13 of this manual. In the right-hand side of this screen, you can program the condition that you wish the relay to activate. As can be seen from the default values, it will operate when the flow rate is above 25 GPM.

You can change this value to that desired for your application, and you can also determine the condition that you wish it to operate, e.g., above or below the programmed value, between or outside the programmed values. Note that when either of these latter two options are selected, a second value window will appear.

Beneath this you will see an option to select the relay's sensitivity in detecting the programmed condition at which you wish it to activate; the default is set to 'low'. It is recommended that you do not adjust this unless you need the relay to operate immediately when the flow rate hits the programmed level. Please note, however, that the equipment connected to the relay may experience rapid turning on and off when the flow rate is turbulent and is close to the programmed alarm value.

Finally, you may also wish to change the appearance of the Display when the Alarm condition is met. For example, if you wanted to make the screen flash red when the flow rate is above a certain value such as a high flow rate, you can achieve this by checking the 'Change Backlight' box and selecting the desired appearance.

When all changes have been made, it is essential that you click on 'APM' in the menu at the top of the screen, and then click on the dropdown option 'Write Configuration to APM'.

Before disconnecting the Type A to Type B cable between your PC and the Display, you may wish to save your configuration settings. To do so, click on 'File' at the top-left of the Configurator screen, and then click on 'Save Configuration File' from the dropdown menu. In the 'Save As' dialog box, navigate to the location that you wish to save the file, and give it a Filename before clicking on the 'Save' button.

13. auxiliary relay (optional kit)

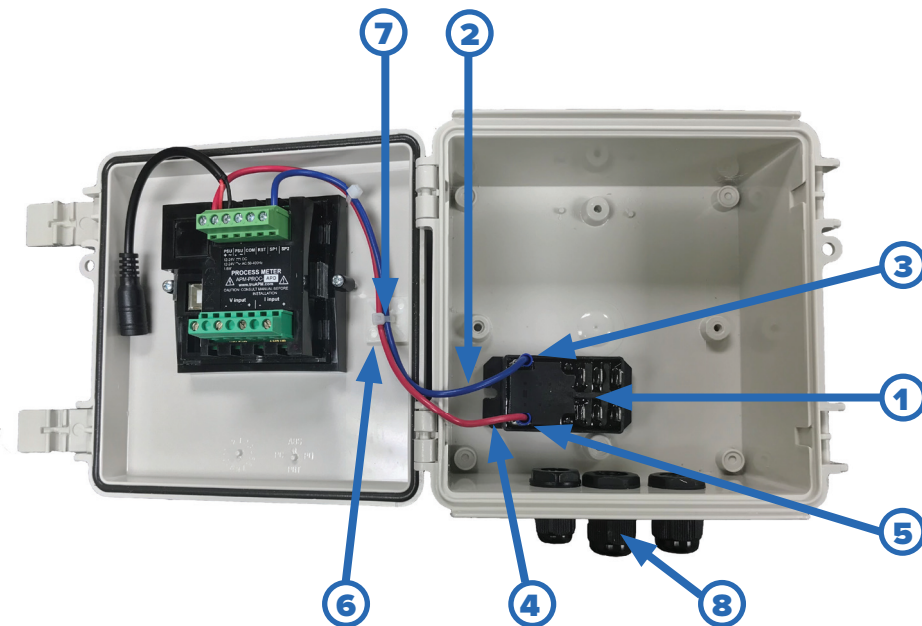
The Auxiliary Relay option is a valuable feature that allows the AcuFlow Digital user to control external devices such as Heater and Chemical Feeders at user-defined flow rates. For example, you may want to control the Chemical Feeder to operate only above 20 GPM. Setting this value is discussed in Section 12.

The Auxiliary Relay option kit installs into the rear of the AcuFlow Digital Display enclosure and comprises the following items:

Qty.	Item
1	Auxiliary Relay with 12 VDC coil and 2 sets of souble pole / double throw dry contacts
1	Set of relay coil wires
1	Cable zip ties (2) with (1) adhesive pad
6	Crimp style Cable Spades
1	Cable Gland

Installation (internal)

1. Secure Relay **1** by removing adhesive backing tape
2. Attach pre-made blue wire **2** to terminal 1 **3** on Relay
3. Attach pre-made red wire **4** to terminal 0 **5** on Relay
4. After removing protective film, attach Cable Pad **6** to rear of hinged door in location shown
5. Use Zip Ties **7** as shown
6. Connect blue wire to terminal marked 'SP2' on rear of Display
7. Connect red wire to terminal marked 'PSU+' on rear of Display
8. Drill hole 5/8" (16mm) diameter hole for Cable Gland **8** Be careful not to damage Relay **1**



auxiliary relay (optional kit) cont.

Installation (external)

The Auxiliary Relay comprises two sets of double pole / double throw dry contacts. Both sets of contacts will operate at the same programmed flow rate as set in the 'Advanced Setup' section on page 14. Each of the two sets of contacts has a normally open and a normally closed relay. The 'normal state' is the condition that the contacts are in before they are activated when the coil is energized by the programming value. Please refer to the Auxiliary Relay Connection Diagram (Fig. 2.9) on page 10.

Using the cable spade connectors provided, connect the external wiring to the required Auxiliary Relay outputs. For example, if the Heater requires a contact closure to operate, connect the heater enabled circuit to either terminals 4 and 2, or 8 and 6. Both of these are normally open contacts that will close when the relay coil is energized by the setting applied in the 'Advanced Setup' section on page 14.

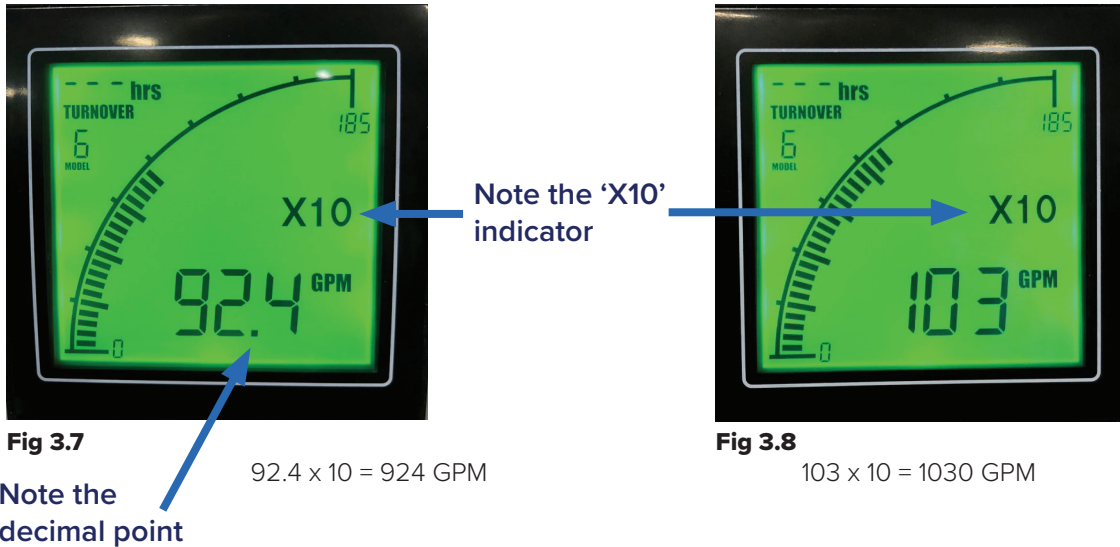
14. display features

The AcuFlow Digital Display comprises certain standard features as well as user-defined parameters / adjustments. Standard features include a Digital and Bar Graph reading of the measured flow rate. The user has the option to program the Unit of Measurement to be displayed in either US GPM (default), LPM or M³/hour. The patent pending feature that displays the Turnover Rate is activated by the user during programming. The Display's format can also be programmed by the user to change its appearance under prescribed conditions, e.g., flash above or below a certain flow rate. Refer to the 'Advanced Setup' section for more information on how to take advantage of this functionality.



14. display features cont.

On all AcuFlow Digital installations for 8-inch AcuFlow units, please note that the text 'X10' will appear above the flow reading at all times. See the below examples (Figs. 3.7 & 3.8) and instructions on how to properly read these flow rates:



15. troubleshooting

AcuFlow Digital has been designed to be an easy to install, accurate and reliable addition to the renowned AcuFlow flow meter. However, should an unexpected problem occur, please refer to the following Troubleshooting Guide.

As always, please feel free to contact us with any questions or concerns. Tel: 888.635.0296

Observation	Solution
Digital Display not illuminated	<ul style="list-style-type: none"> • Check Power Supply is plugged into its receptacle, if yes... • Check for 12 VDC power at terminals PSU+ and PSU- on rear of Display, if no voltage... • Check to see if wires from the Power Supply are securely terminated into the PSU+ and PSU- terminals, if yes... • Check to see if power source is active. If yes, Power Supply needs to be replaced
Digital Display reads zero flow rate with pump running	<ul style="list-style-type: none"> • Is Display illuminated? If yes... • Check to see if AcuFlow is reading the expected flow. If yes... • Check to see if there is a steady blue light on the sensor. If no... • Check sensor wiring and terminations into the rear of the Display - red wire to I input +, black wire to I input -, and green wire to COM. Is everything is secure and correct? If yes...

continued on next page

Observation	Solution
Digital Display not illuminated (continued from previous page)	<ul style="list-style-type: none"> • If the blue light is flashing, the sensor has not detected a magnet in the AcuFlow indicator arm. Contact H2flow for further assistance. • Is this a retrofit to an existing AcuFlow? If yes, did you install a new lid assembly that is 'Digital' compatible? If no... • Contact H2flow for further guidance
Digital Display is reading a flow rate that is significantly different to the AcuFlow	<ul style="list-style-type: none"> • Check that the DIP switch settings applied in 'Programming' section, correctly related to the AcuFlow model being used. If applied correctly, please contact H2flow for further guidance.
Turnover rate appears to be inaccurate	<ul style="list-style-type: none"> • The turnover rate is calculated by the programmed volume, divided by the flow rate. Perform a manual calculation as follows: $(\text{Volume} \div \text{Flow Rate from AcuFlow}) \div 60 = \text{Turnover rate in hours}$. If this number is different to the value shown on the AcuFlow Display, reconnect your laptop and check that the volume has been accurately entered.
External equipment such as a Heater or Chemical Feeder, that is being controlled by the Auxiliary Output, is turning on and off erratically	<ul style="list-style-type: none"> • Reconnect laptop PC and check that the Sensitivity Level has been set to 'Low'. If yes... • Check the flow rate reading is well above (or below) the set level programmed to turn on (or off) the Auxiliary Output. If the actual flow rate is close to the set value and there is turbulence causing the flow rate to be erratic, consider adjusting the set point value.
Display is showing the wrong unit of measurement	<ul style="list-style-type: none"> • Connect your laptop and check to see the required Unit of Measurement (US GPM, LPM or M³/hour) has been selected. Change as necessary.

16. environmental

See specification section for environmental operating conditions.

For product disposal, follow all local environmental requirements mandated for plastic and electronic equipment.

17. standards & approvals

Display & Sensor NSF 50 certified, (indoor use only)
Power Supply UL, cUL, CE



18. NSF 50 accuracy certification

The accuracy of AcuFlow Digital has been independently certified by NSF to the NSF 50 Standard for Flow Meters. At the time of printing, AcuFlow Digital is the only digital flow meter in the world to have been certified to this rigorous standard.

The NSF 50 flow meter standard has five levels of accuracy that a flow meter can be certified to - Levels 1 to 5 (L1-L5), and where L1 is the most accurate:

Level 1 (L1) - Average of absolute values of all single point deviations must be $\leq 2\%$. Single point deviations shall not exceed $\pm 4\%$.

Level 2 (L2) - Average of absolute values of all single point deviations must be $\leq 5\%$. Single point deviations shall not exceed $\pm 7.5\%$.

Level 3 (L3) - Average of absolute values of all single point deviations must be $\leq 10\%$. Single point deviations shall not exceed $\pm 12.5\%$.

Level 4 (L4) - Average of absolute values of all single point deviations must be $\leq 12.5\%$. Single point deviations shall not exceed $\pm 15\%$.

Level 5 (L5) - Average of absolute values of all single point deviations must be $\leq 15\%$. Single point deviations shall not exceed $\pm 20\%$.

AcuFlow Digital has been certified to NSF 50 as follows:

AcuFlow Digital connected to AcuFlow model	AcuFlow Digital accuracy	Flow Range (GPM)
AF-15	L1	20-90
AF-15-U	L1	20-90
AF-2	L1	20-110
AF-2-U	L1	20-110
AF-25	L1	20-110
AF-3	L1	90-240
AF-4	L2	150-450
AF-6	L1	300-1000
AF-8	L1	600-1800

19. specifications

Display Enclosure (optional)

Enclosure Material	ABS
Rating	NEMA 4X / IP66
Dimensions.....	6" x 6" x 3.5" / 152mm x 152mm x 90mm (HxWxD)
Mounting Brackets (4)	Stainless Steel
Outdoor (UV inhibitor included).....	Special Order

Display

Display	LCD
Backlight Colors.....	Red, Green, White
Display Cable with Socket	138" (3.5M) long

Sensor

Sensor Housing Material	Polycarbonate (clear)
Molded Cable with Plug.....	20" (0.5M) long

Display to Sensor Extension Cable (optional)

Pre-formed with Attached Plug and Socket.....	25 feet (7.62M) long
---	----------------------

Power Supply

Power Connection	Receptacle style
Power Source.....	100-240VAC, 0.4 Amps
Power Output	12 VDC, 1.0 Amps
Low Voltage Cable Length.....	10' (3M)

Auxiliary Relay

Output Contacts	Double Pole, Double throw Form C Dry Contacts
Contact Ratings.....	20A max
Relay Coil	12VDC (sourced and controlled by the Display)

Analog Output (4-20mA)

Scaled to	4 mA = zero flow, 20 mA = max flow rate limit of installed AcuFlow
Output Format.....	Voltage sourced from AcuFlow Digital Display
Maximum Load.....	250 ohms

Accuracy

Average Flow Rate Accuracy.....	≥98.1% for all AcuFlow models
---------------------------------	-------------------------------

Environmental

Operating Temperature.....	32 to 122°F (0 to 50°C)
Storage Temperature.....	-4 to 140°F (-20 to 60°C)
Rated for.....	Indoor use only

IMPORTANT, PLEASE READ AND KEEP THIS DOCUMENT ON RECORD.

Definition

H2flow Controls, Inc., warrants the AcuFlow™ Digital product for 3-years from its date of supply from H2flow Controls, Inc. or its stocking Distributor. In the event that the product experiences a premature failure due to defective workmanship or materials, H2flow will, at its discretion, replace either the failed component(s) or the complete AcuFlow™ Digital unit. H2flow shall not be responsible for third-party labor or any consequential losses. Damage caused by improper installation, misuse or exposure to corrosive chemicals, will not be covered by this warranty.

Eligibility

This warranty extends to the original purchaser only or to the end-user client of an H2flow Controls Inc. authorized affiliate.

How to obtain service

To obtain service under the terms of this warranty, the customer is required to notify H2flow Controls Inc. before the expiration of the warranty period and to return the item in accordance with H2flow Controls Inc's product return policy. Any product returned for warranty repair must be accompanied by a full fault report specifying the symptoms and the conditions under which the fault occurs. Should H2flow Controls Inc. incur additional cost as a result of a failure to complete the appropriate paperwork, an administrative charge may be levied.

Exclusions

This warranty shall not apply to any defect, failure or damage caused by improper use or improper or inadequate care. H2flow Controls Inc. shall not be obligated to provide service under this warranty if:

- a) damage has been caused by a failure to make a full and proper inspection of the product (as described by the documentation enclosed with the product at the time of shipment) on initial receipt of the product following shipment;
- b) damage has been caused by the attempts of individuals, other than H2flow Controls Inc. staff to repair or service the product;
- c) damage has been caused by the improper use of the product, including but not limited to, the cracking or breakage of a AcuFlow Digital sensor or AcuFlow lid due to the over-tightening of lid screws, damage to the AcuFlow Digital LCD display screen due to misuse or excessive exposure to chemicals, use or installation in an outdoor, wet or 'washdown' type environment, the splicing or cutting of cables or wires unless explicitly instructed to do so during the installation process.

Charges

Under cover of this warranty, H2flow Controls Inc. will pay the carriage and insurance charges for the shipment of defective product back to H2flow Controls Inc. and for its return to the client's original site of dispatch except when:

- a) H2flow Controls Inc's product return policy has not been followed.
- b) product failure is caused by any of the exclusions described at paragraph 4 above, when the customer will be liable for the full cost of the repair (parts and labor) plus all carriage and insurance costs to and from H2flow Controls Inc's premises.
- c) the product is damaged in transit and a contributory cause is inadequate packaging. It is the customer's responsibility to ensure that the packaging used to return equipment to H2flow Controls Inc. is the same, or has equivalent protective qualities, to that used to ship the product to the customer in the first instance. Any damage resulting from the use of inadequate packaging will nullify H2flow Controls Inc's obligations under this warranty.

Should the customer's product be damaged in transit following a repair at H2flow Controls Inc's site, a full photographic record of the damage must be obtained (packaging and the product) to support any claim for recompense. Failure to present this evidence may limit H2flow Controls Inc's obligations under this warranty.

THIS WARRANTY IS GIVEN BY H2FLOW CONTROLS INC. IN LIEU OF ANY OTHER WARRANTIES, EXPRESSED OR IMPLIED, INCLUDING BUT NOT LIMITED TO ANY IMPLIED WARRANTY OF MERCHANTABILITY, NON INFRINGEMENT OR FITNESS FOR A PARTICULAR PURPOSE. H2FLOW CONTROLS INC SHALL NOT BE LIABLE FOR ANY SPECIAL, INDIRECT, INCIDENTAL OR CONSEQUENTIAL DAMAGES OR LOSSES. WE SPECIFICALLY DISCLAIM ANY AND ALL WARRANTIES TO CUSTOMERS OF THE CUSTOMER. THE CUSTOMER'S SOLE REMEDY FOR ANY BREACH OF WARRANTY IS THE REPAIR OR REPLACEMENT, AT H2FLOW CONTROLS INC'S DISCRETION, OF THE FAILED PRODUCT.

21. notes



H2flow Controls, Inc., 3545 Silica Road, Unit F, Sylvania, OH 43560 U.S.A.
Tel: 888-635-0296 (Toll Free) OR (+1) 419-841-7774 (International) • Fax: 419-517-9900
For international sales and service, please visit our website: www.h2flow.net