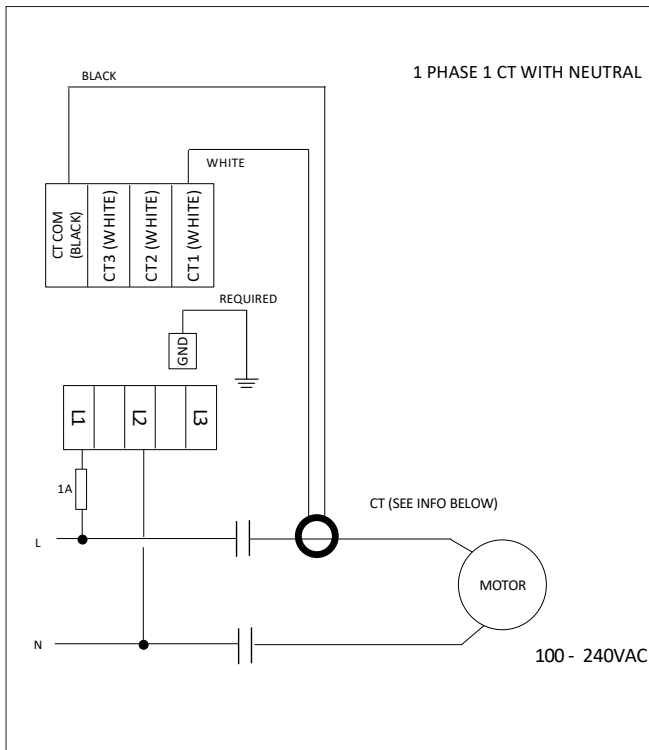
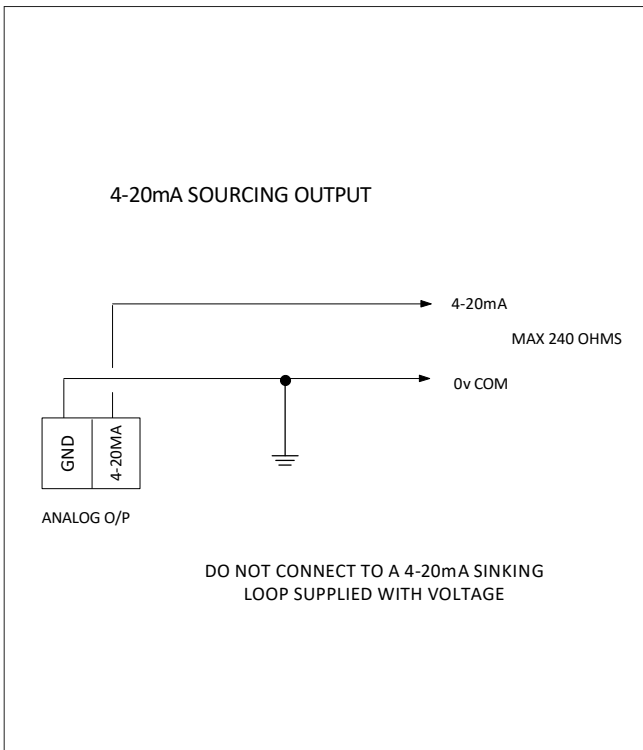


Installation Wiring Diagrams

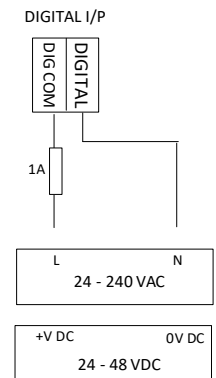
ProcessDefender Power Monitor

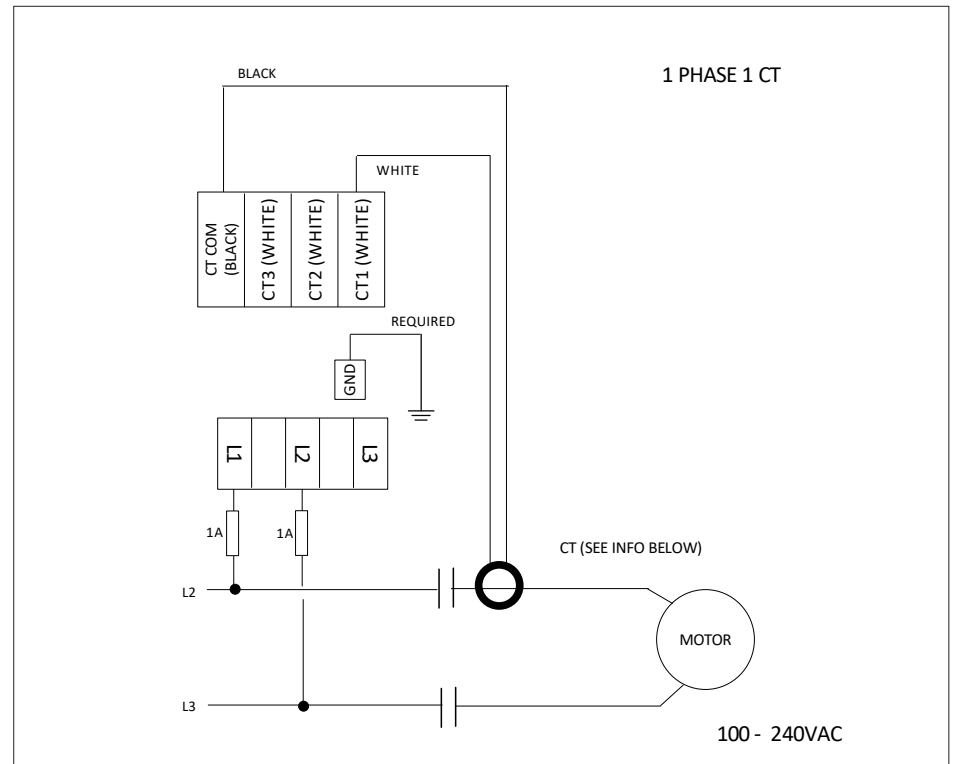
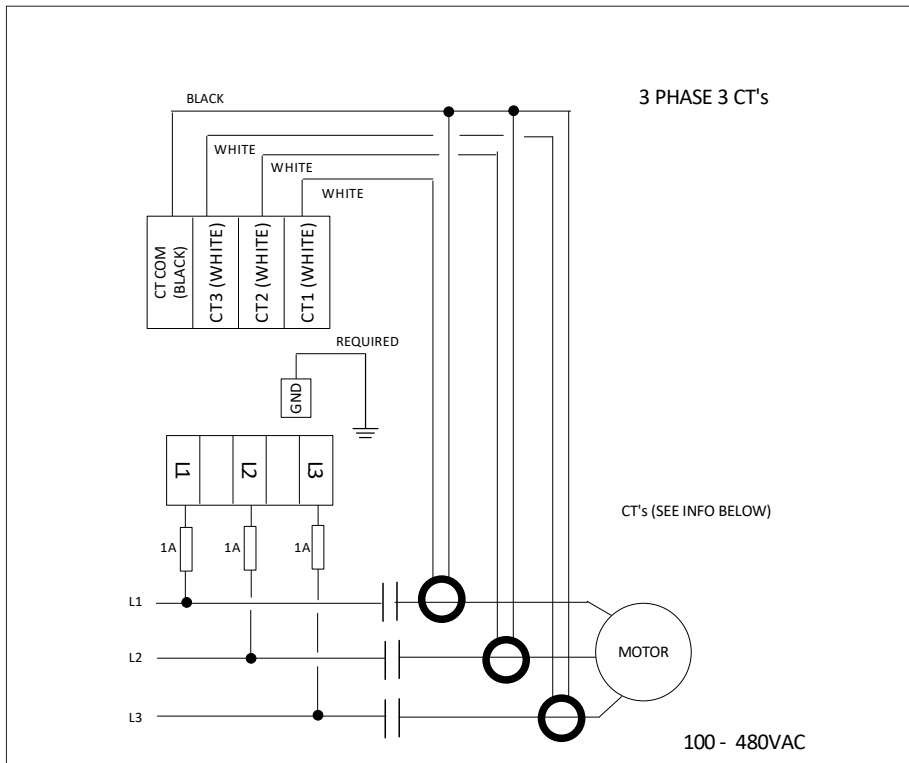
R1.0 - 03/24

h2flow.net



PROGRAMMABLE DIGITAL INPUT

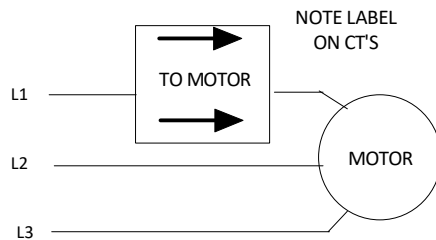




CURRENT TRANSFORMERS (CT's)

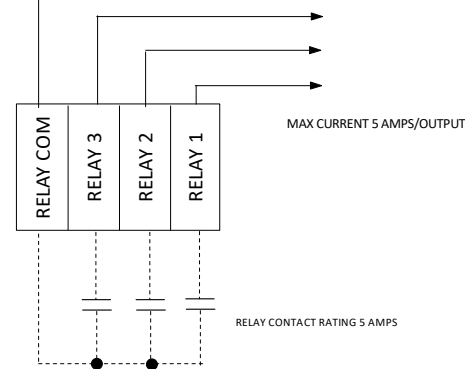
THE PD100 IS DESIGNED TO USE ONLY THE FOLLOWING CURRENT TRANSducers SUPPLIED BY H2FLOW CONTROLS.
THE USE OF ANY OTHER TRANSFORMERS WILL DAMAGE THE PD100

- PD-CT-010 (10 AMP)
- PD-CT-020 (20 AMP)
- PD-CT-050 (50 AMP)
- PD-CT-100 (100 AMP)
- PD-CT-150 (150 AMP)
- PD-CT-200 (200 AMP)
- PD-CT-250 (250 AMP)

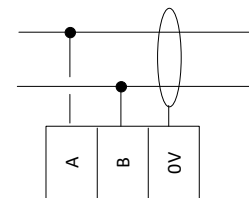


PROGRAMMABLE RELAY OUTPUTS

MAX 240 VAC / 30 VDC



MODBUS 485



MODBUS 485