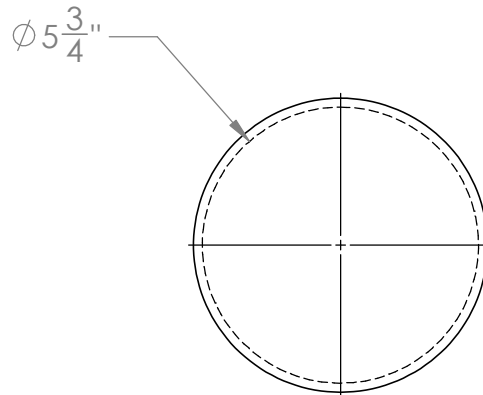
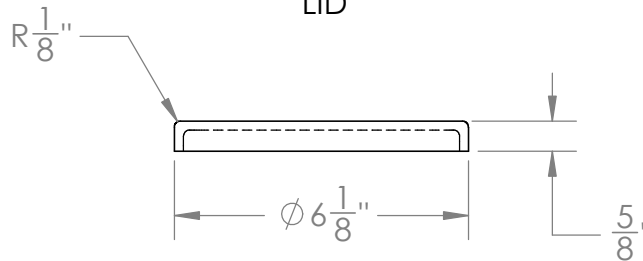
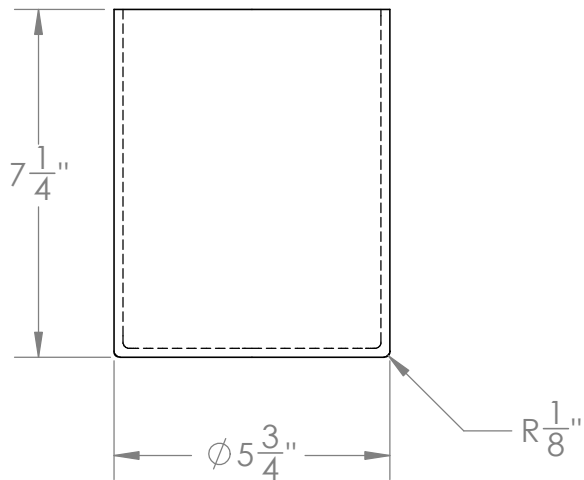
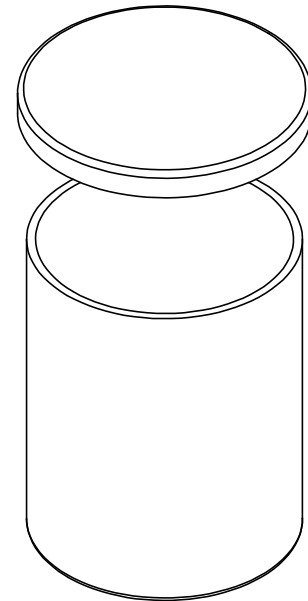



CROCK



LID



Black  
Molded Polyethylene  
Can w/ Cover #14384



1390 Neubrecht Road  
Lima, Ohio 45801

STOCK NO.	<b>14384</b>	REV
		<b>A</b>
DO NOT SCALE DRAWING		WEIGHT: 1 lbs.

DIMENSIONS ARE IN INCHES TOLERANCE: ± 1/4"		NAME	DATE
MATERIAL		DRAWN	CDH 06/14/16
LLDPE - FDA resin		APPROVED	BAT 07/14/16
CAPACITY		COMMENTS:	
3/4 US gal.			
GRADUATIONS			
NO		Black UV Stabilized	
NOMINAL WALL THICKNESS			
3/16"			

**PROPRIETARY AND CONFIDENTIAL**

THE INFORMATION CONTAINED IN THIS DRAWING IS THE SOLE PROPERTY OF TAMCO. ANY REPRODUCTION IN PART OR AS A WHOLE WITHOUT THE WRITTEN PERMISSION OF TAMCO IS PROHIBITED.

MAX. OPERATING TEMP. 140°F  
INTERMITTENT SERVICE TO 160°F  
SEE CHEMICAL RESISTANCE  
CHART FOR COMPATIBILITY